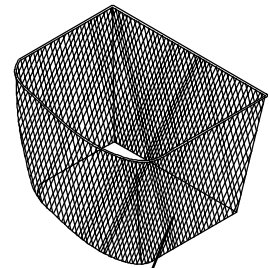
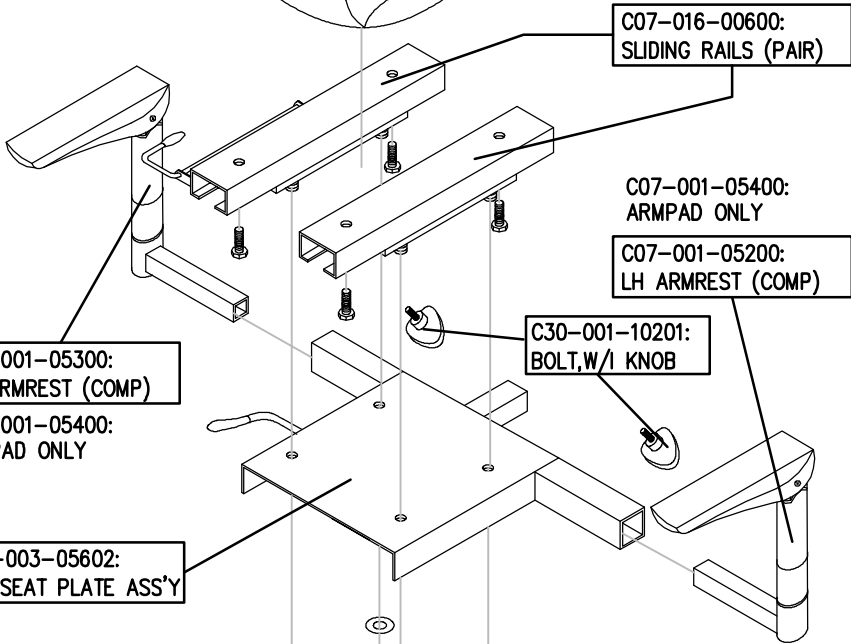


SEATM07:
SEAT ASSEMBLY



C23-009-00200:
FRONT BASKET



C07-016-00600:
SLIDING RAILS (PAIR)

C07-001-05400:
ARMPAD ONLY

C07-001-05200:
LH ARMREST (COMP)

C30-001-10201:
BOLT,W/1 KNOB

C07-001-05300:
RH ARMREST (COMP)

C07-001-05400:
ARMPAD ONLY

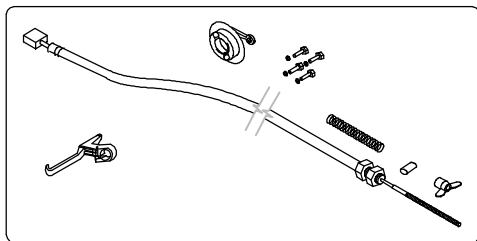
C07-003-05602:
STD SEAT PLATE ASS'Y

C12-023-00100
4A CHARGER

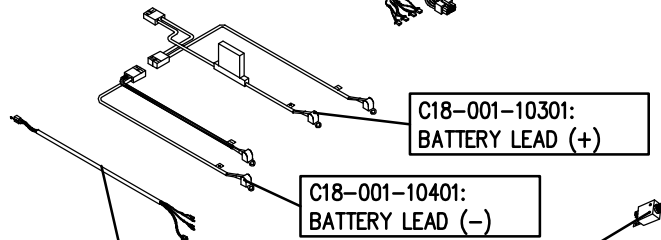
NOTE: THE COMPLETE NEO 8
WIRING LOOM IS AVAILABLE
(CODE: S18-040-00200)

C18-026-00500:
WIRE HARNESS (FRONT)

C18-040-00401:
WIRE HARNESS (REAR)



S35-026-00100:
CABLE BRAKE ASS'Y



C18-001-10301:
BATTERY LEAD (+)

C18-001-10401:
BATTERY LEAD (-)

C18-026-00700:
REAR LTG LEAD

C16-009-00100
30A CIRCUIT BREAKER

medicaretechnology
LIMITED

Ainley's Industrial Estate, Elland HX5 9JP
T: +44 (0) 1422 314488
E: enquiries@medicaretechnology.com
W: www.medicaretechnology.com/technical

TITLE:



NEO 8 SCOOTER (MS042)
PARTS CATALOGUE

DATE:

29/10/07

SHEET No:

2 OF 2

DRAWN:

PMK

CHECKED:

REVISION No:

-

SCALE:

NTS

DWG No:

Z40941