



SPARE PARTS MANUAL

Kensington-S

FR510-DXs2b



INDEX

P1 HANDLE BAR ASSEMBLY

P2 CHASSIS MOULDINGS

P3 FRONT CHASSIS ASSEMBLY

P4 STEERING SYSTEM

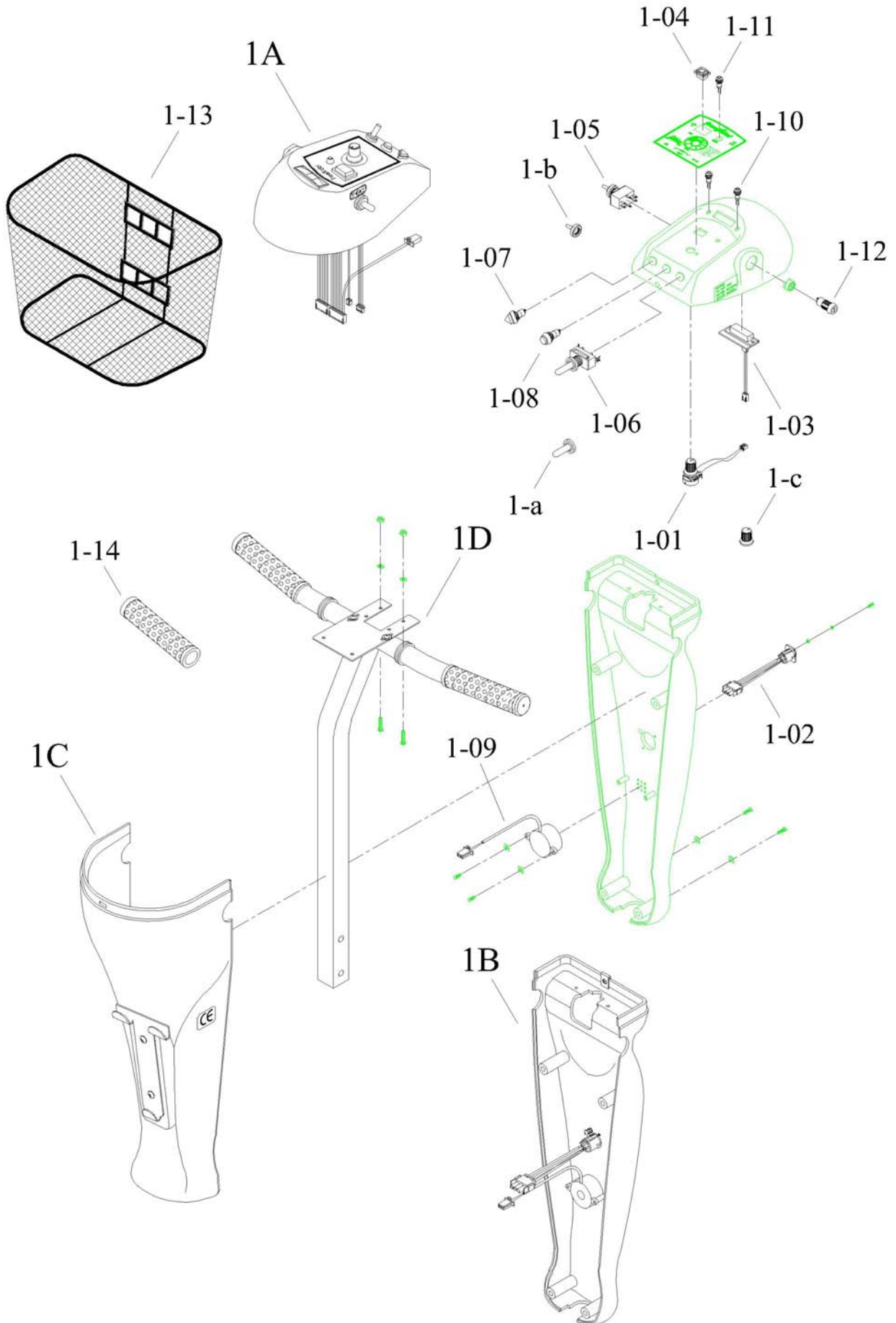
P5 REAR CHASSIS DRIVE SYSTEM ASSEMBLY

P6 HAND BRAKE ASSEMBLY

P7 SEAT ASSEMBLY

P8 CONSOLE AND WIRING SYSTEM

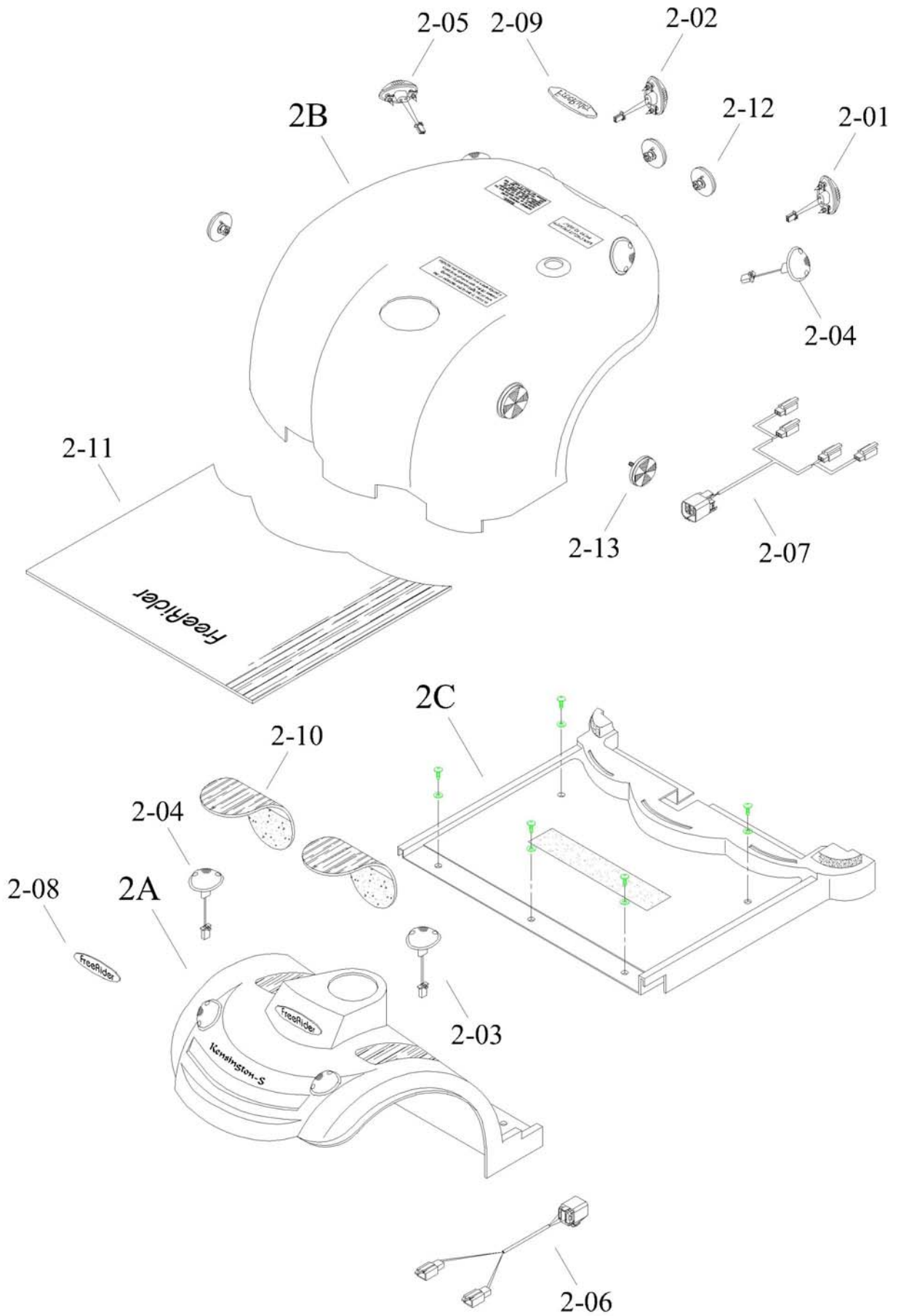
HANDLE BAR ASSEMBLY



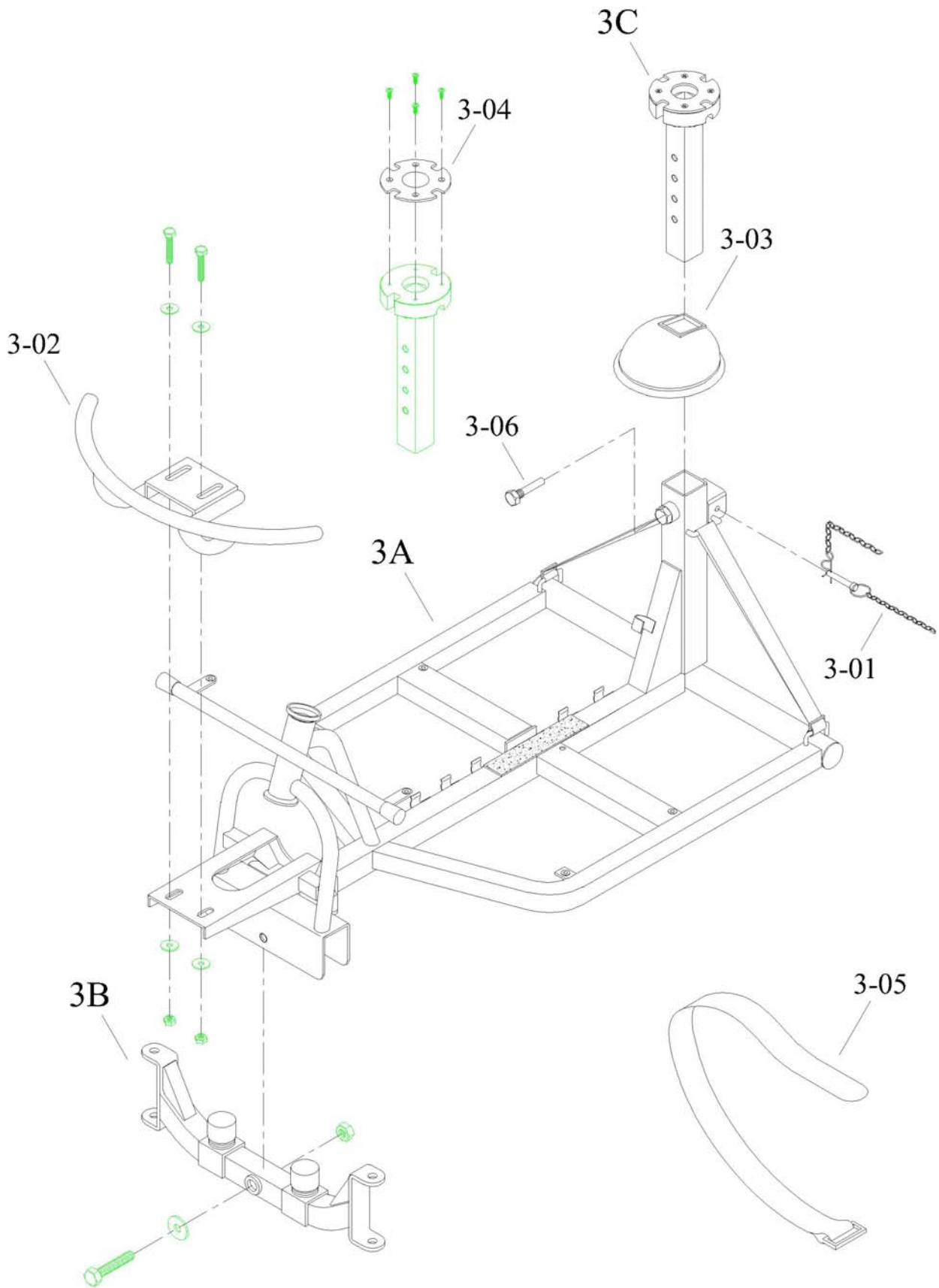
HANDLE BAR ASSEMBLY

DRAWING NO.	PART NO.	PART NAME	€	GBP	USD
1A	AA01-0314-B2	TOP CONSOLE COVER ASSY.			
1B	AA02-0200-B2	HANDLE BAR COVER REAR ASSY.			
1C	AA03-0200-B2	HANDLE BAR COVER FRONT ASSY.			
1D	PA01-A300	HANDLE BAR ASSY.			
1-01	PAE1-0100-MO	VARIABLE RESISTOR 20KVR ASSY.			
1-02	PAE1-0404-NP	CHARGER SOCKET ASSY.			
1-03	PAE1-0502	BATTERY METER ASSY.			
1-04	PAE1-0800	HEADLIGHT SWITCH ASSY.			
1-05	PKE1-0104	HI/LO SPEED SWITCH ASSY			
1-06	PKE1-0105	INDICATOR SWITCH ASSY.			
1-07	PKE1-0101	WARNING SWITCH			
1-08	PKE1-0103	HORN BUTTON			
1-09	PKE1-0603	HORN			
1-10	PKE1-0800	INDICATOR LED (GREEN)			
1-11	PKE1-0802	HI/LO SPEED LED (RED)			
1-12	PM01-0100	KEY SWITCH			
1-13	PM90-0100	BASKET			
1-14	PP02-0200-PVC	HAND GRIP (NEW)			
1-a	PP01-0200	INDICATOR SWITCH CAP			
1-b	PP01-0201	INDICATOR SWITCH CAP			
1-c	PP01-0500	SPEED KNOB			

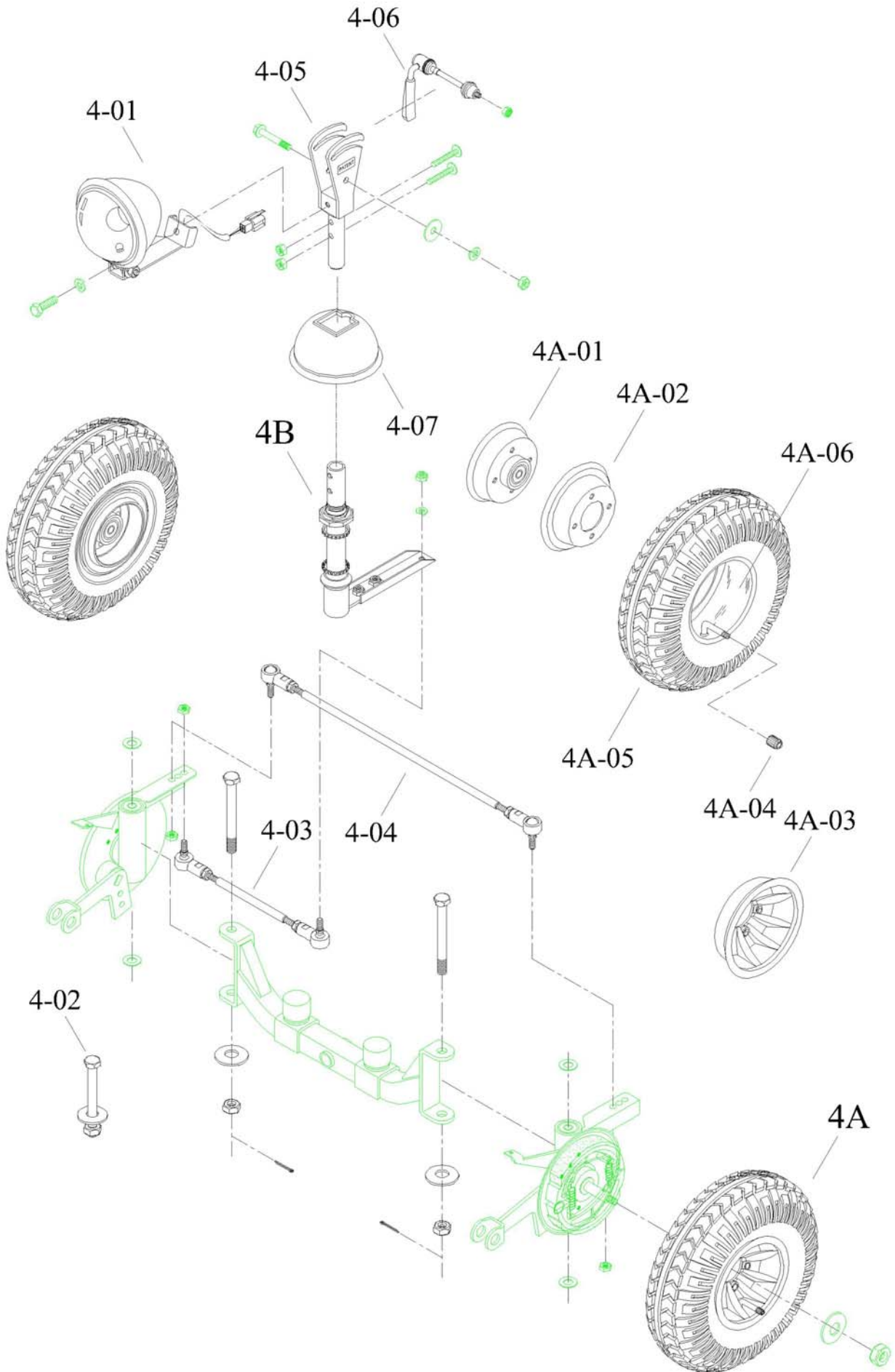
CHASSIS MOULDINGS



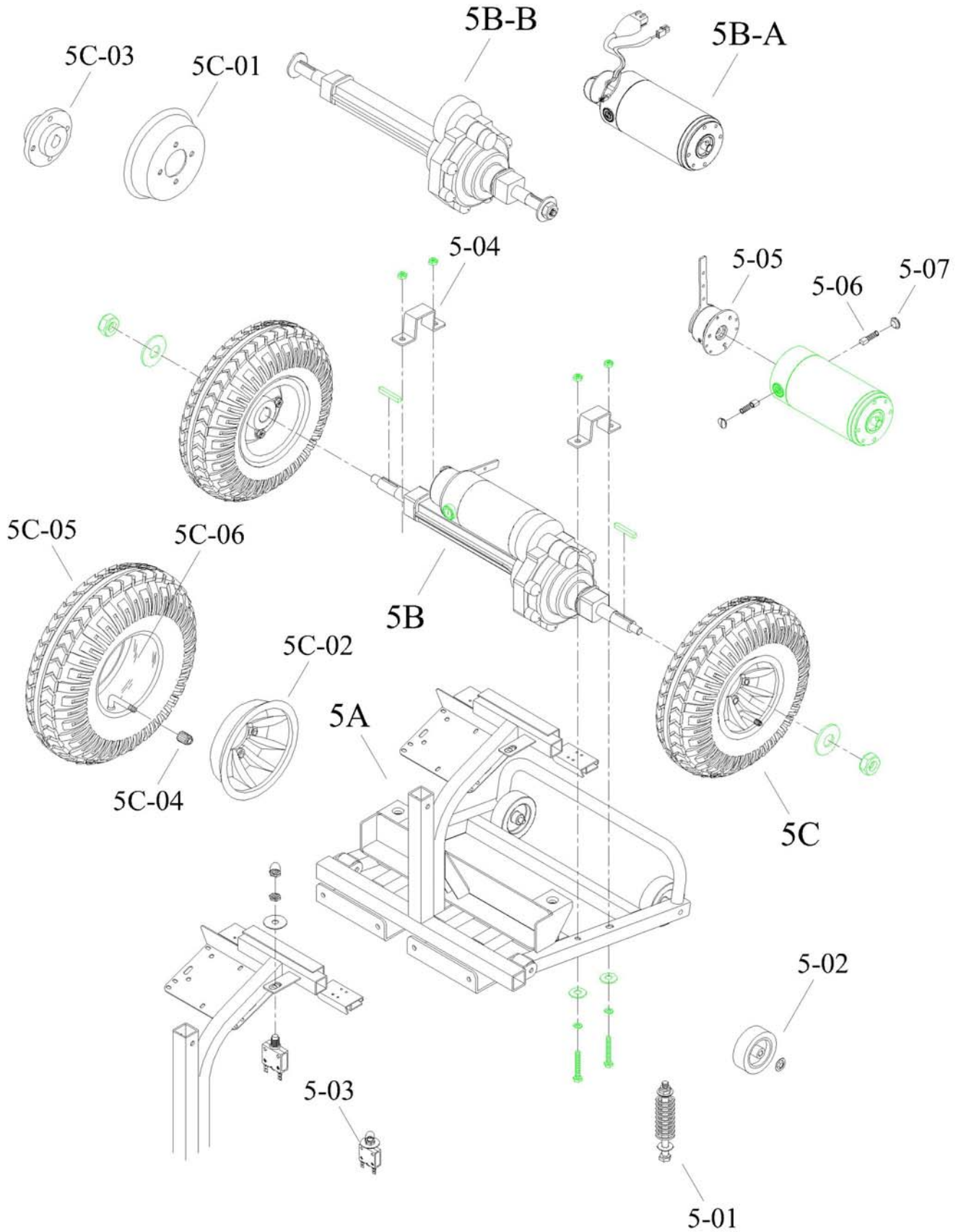
FRONT CHASSIS ASSEMBLY



STEERING



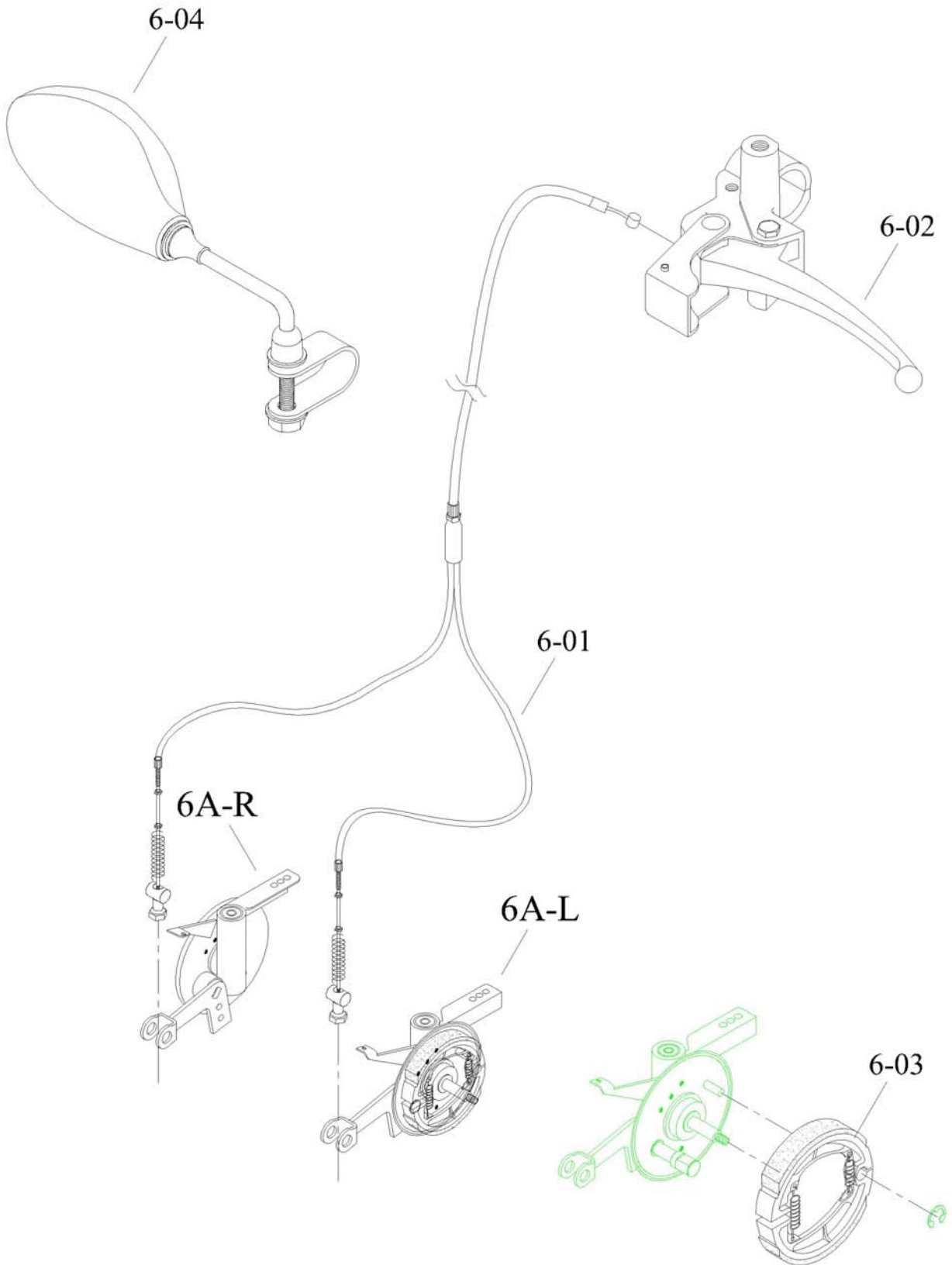
REAR CHASSIS ASSEMBLY-DRIVE SYSTEM



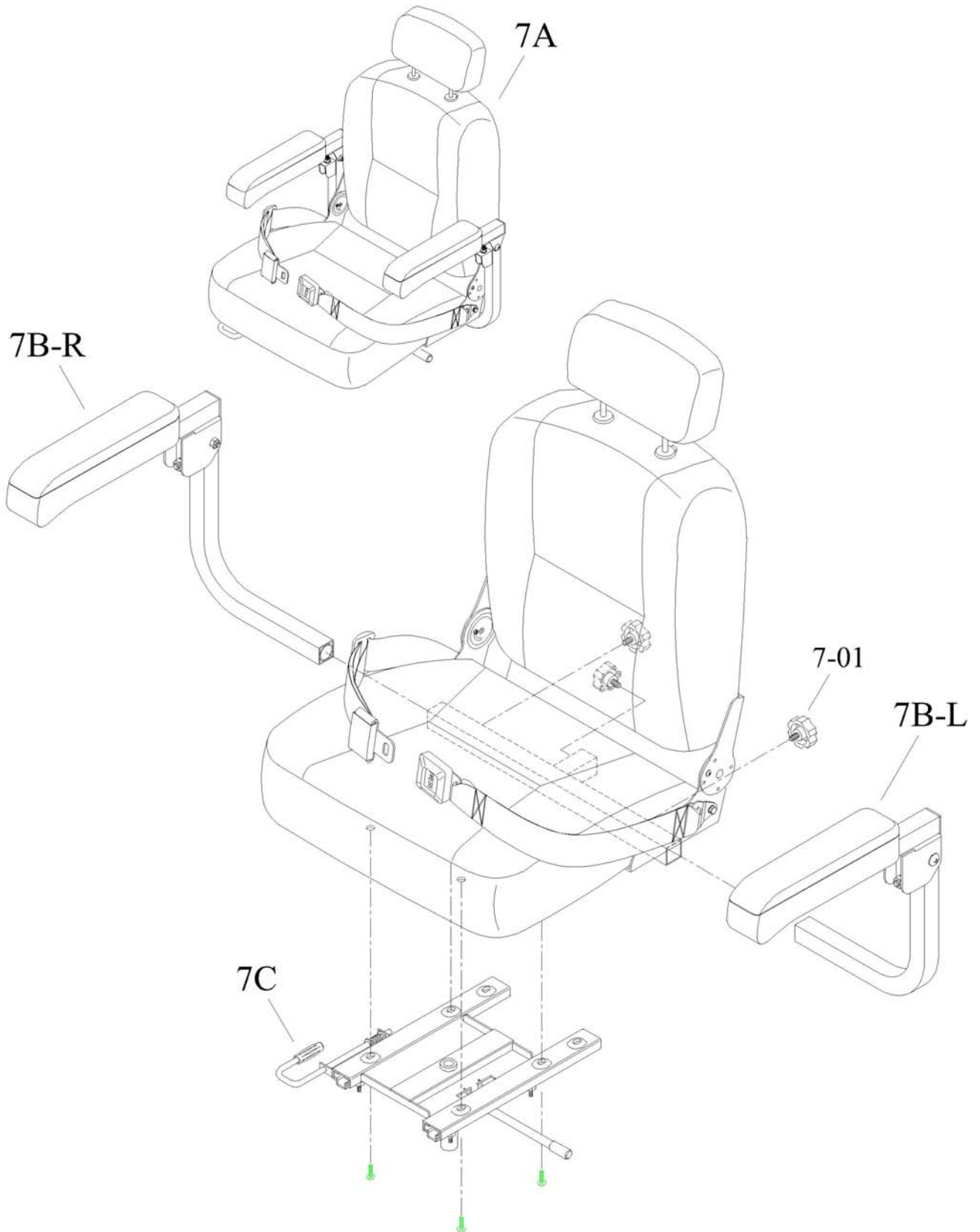
REAR CHASSIS ASSEMBLY-DRIVE SYSTEM

DRAWING NO.	PART NO.	PART NAME	€	GBP	USD
5A	AB07-0801	REAR CHASSIS ASSY.			
5B	AC11-2000	FK-103 TRANS AXLE ASSY.			
5B-A	PA05-A126	5100RPM/600W MOTOR ASSY.			
5B-B	PA11-A901	TRANS AXLE ASSY.			
5C	AC13-0100-GI	D19 REAR WHEEL ASSY.			
5C-01	PM12-0300	RIM 13"			
5C-02	PM12-0400	RIM OUTER (AL., BLACK)			
5C-03	PM13-0104	D19 HUB (REAR)			
5C-04	PP92-0001	VALVE CAP			
5C-05	PP92-0400-GI	(4.00-5) TYRE			
5C-06	PP93-0400-I	(4.00-5) TUBE			
5-01	PA06-B100	PRESSING SPIRAL SPRING ASSY.			
5-02	PA07-A101	ANTI-TIP WHEEL BIG ASSY.			
5-03	PKE2-0404	CIRCUIT BREAKER 70A			
5-04	PM07-0202	BRACKET			
5-05	PM11-0107	MAGNETIC BRAKE			
5-06	PM11-0408-41	MOTOR CARBON BRUSH			
5-07	PP11-0205	MOTOR CARBON BRUSH CAP			

HAND BRAKE ASSEMBLY



SEAT ASSEMBLY



CONSOLE AND WIRING SYSTEM

