

FreeRider[®]
working together

SPARE PARTS MANUAL

Companion

FR168-3A2



U.K. 168-3A2-BL6GBA2

INDEX

P1 HANDLE BAR ASSEMBLY

P2 CHASSIS ASSEMBLY

P3 STEERING-DRIVE SYSTEM

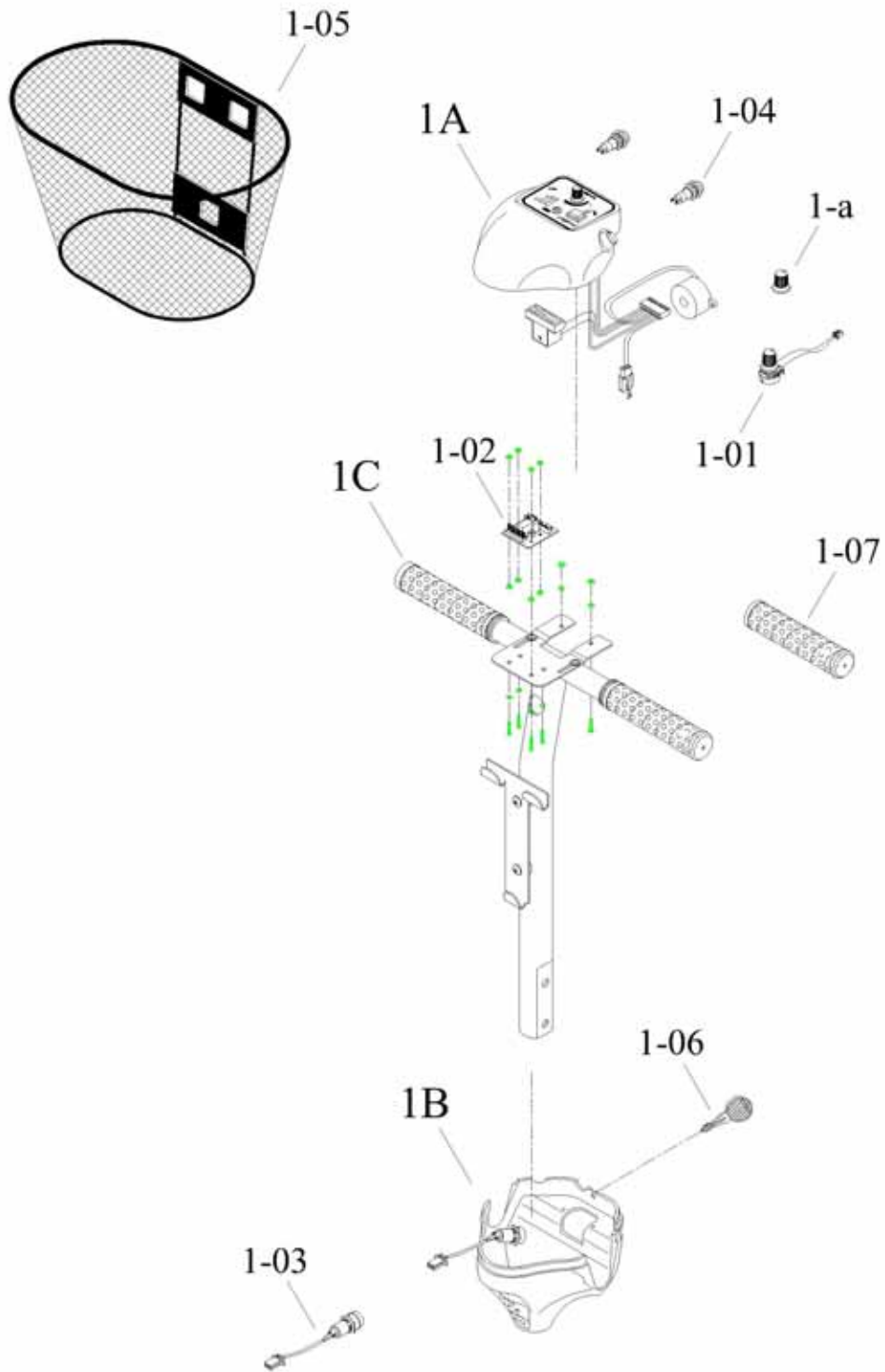
P4 CHASSIS MOULDINGS

**P5 REAR CHASSIS ASSEMBLY-DRIVE
SYSTEM**

P6 SEAT ASSEMBLY

P7 CONSOLE AND WIRING SYSTEM

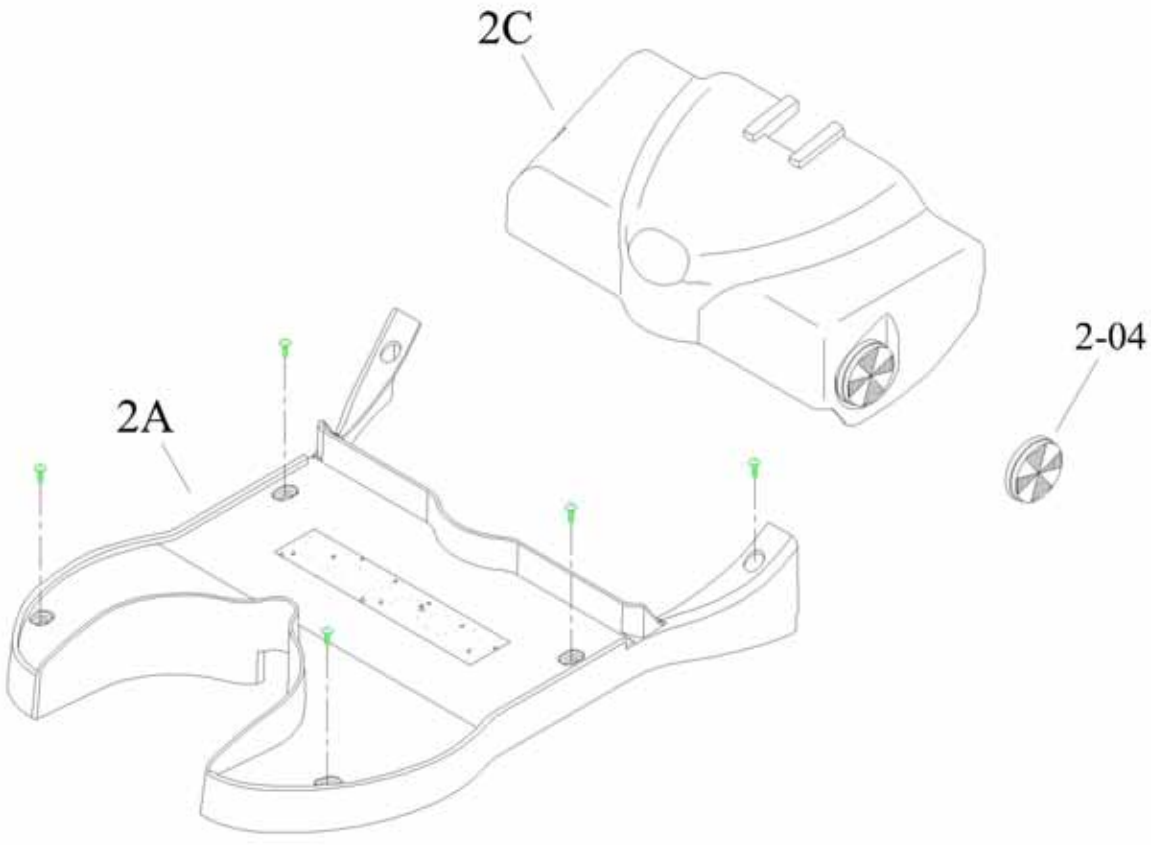
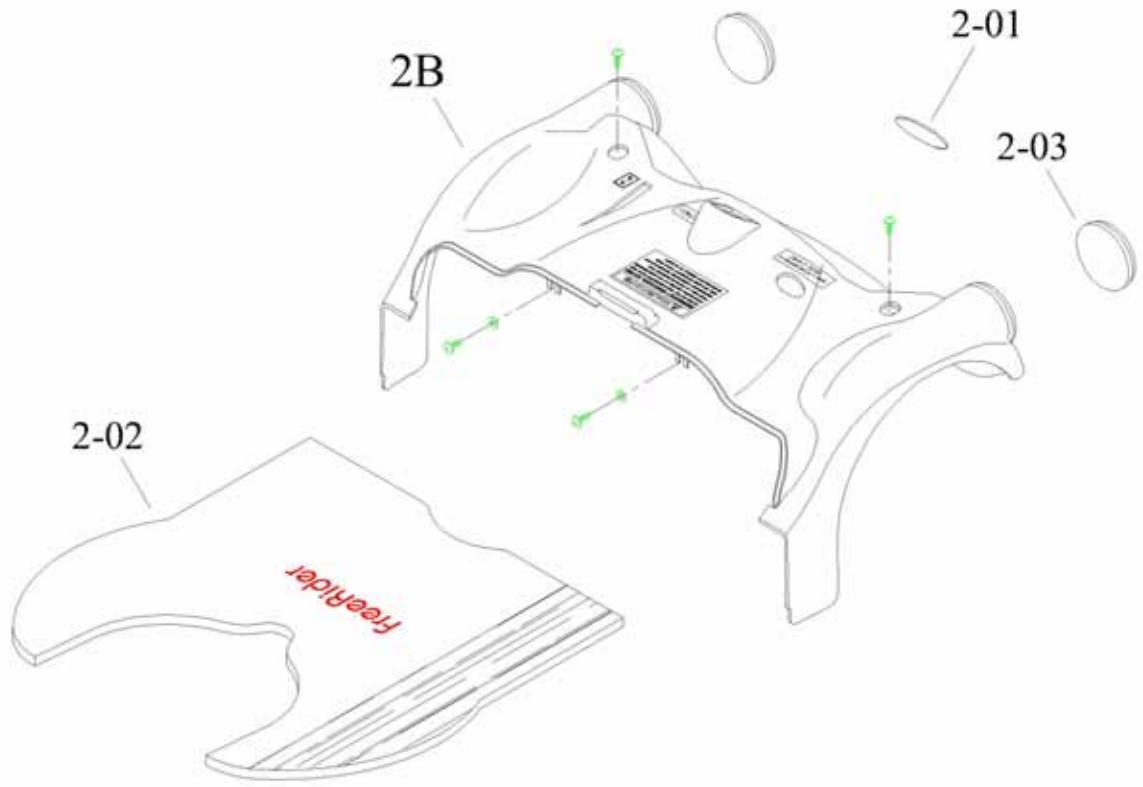
HANDLE BAR ASSEMBLY



HANDLE BAR ASSEMBLY

DRAWING NO.	PART NO.	PART NAME			
1A	AA01-0401-B1	TOP CONSOLE COVER ASSY.			
1B	AA03-0600-B1	HANDLE BAR COVER REAR ASSY.			
1C	PA01-A500	HANDLE BAR ASSY.			
1-01	PAE1-0100-MO	VARIABLE RESISTOR 20K ASSY.			
1-02	PAE1-0301-B1	P.C.B ASSY. (29-00A)			
1-03	PAE1-1000	KEY SWITCH ASSY.			
1-04	PKE1-0103	HORN BUTTON			
1-05	PM90-0400	BASKET			
1-06	PM90-0900	KEY			
1-07	PP02-0201	HAND GRIP (PVC)			
1-a	PP01-0500	SPEED KNOB			

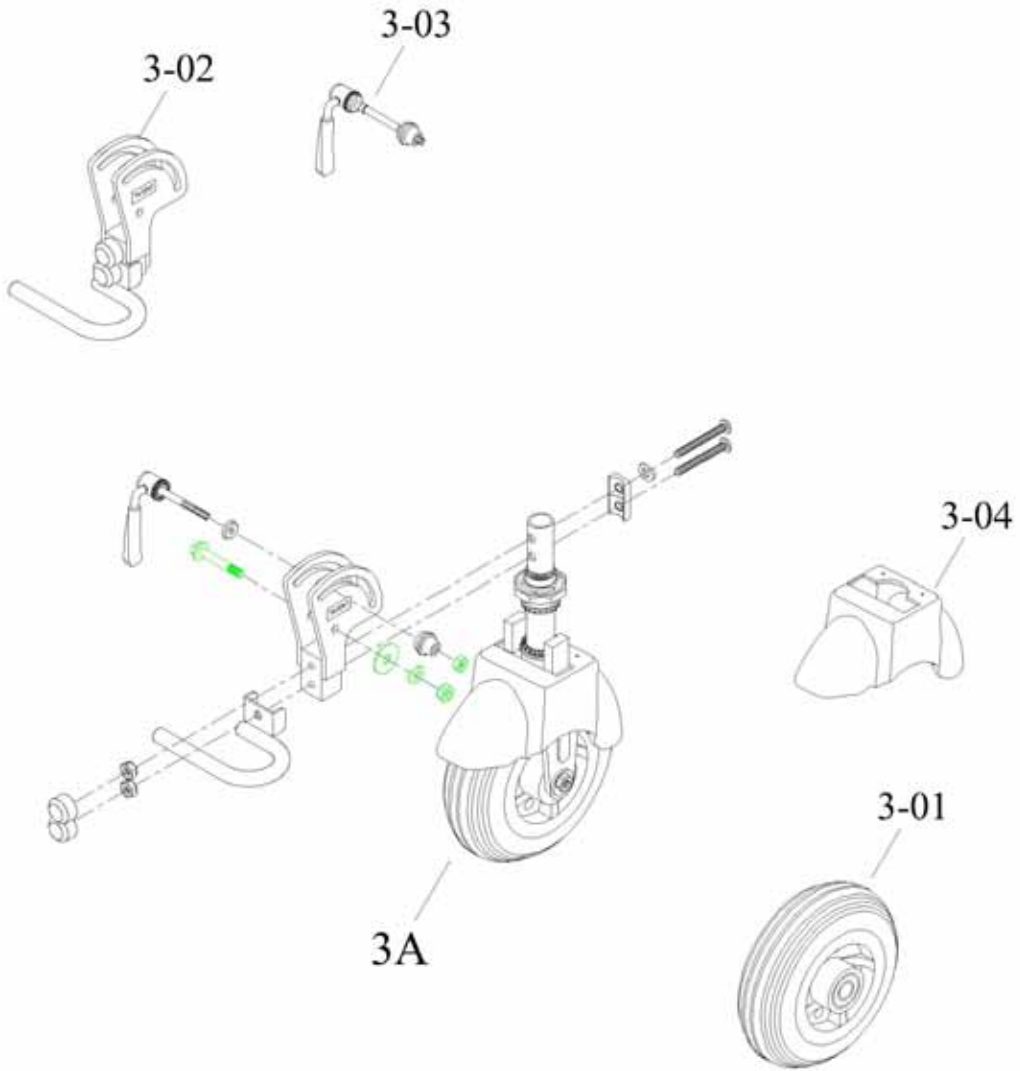
CHASSIS ASSEMBLY



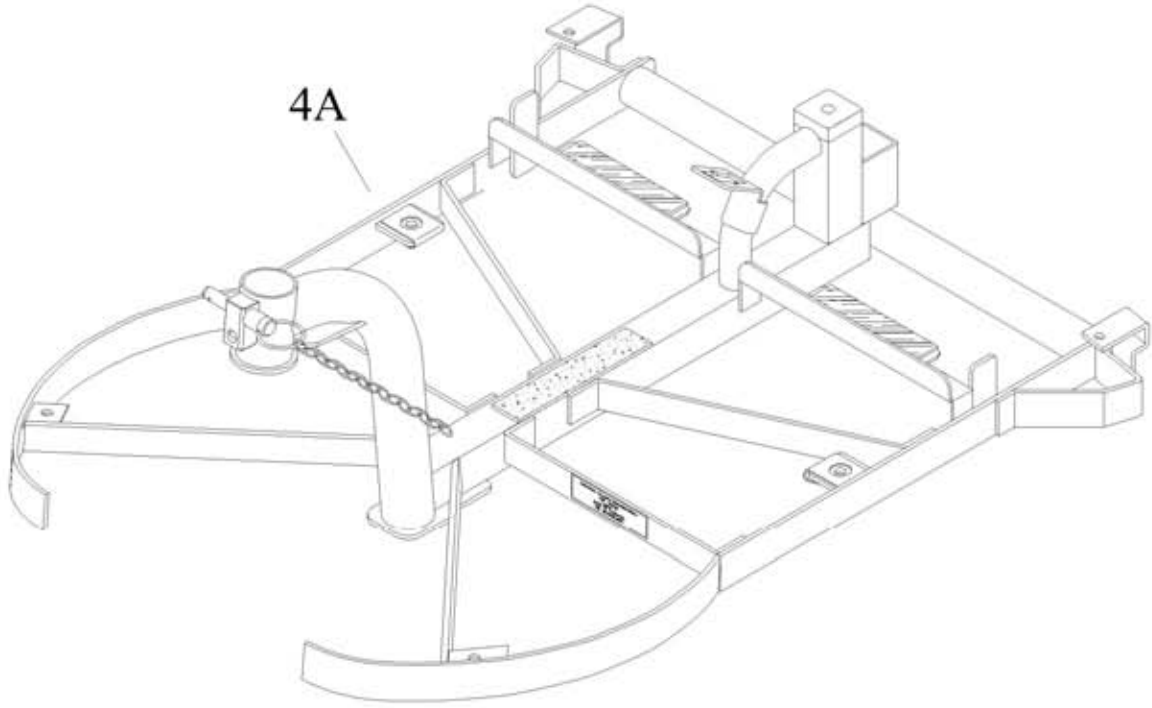
CHASSIS ASSEMBLY

DRAWING NO.	PART NO.	PART NAME			
2A	AA04-1600-D1	FRONT CHASSIS COVER ASSY.			
2B	AA05-1400-B1	REAR CHASSIS COVER ASSY.			
2C	PA04-A201-D1	BATTERY COVER ASSY.			
2-01	PL00-0100	LABEL "FreeRider"			
2-02	PP04-0513	FLOOR MAT			
2-03	PP05-0401-R	REFLECTOR (RED)			
2-04	PP05-0401-Y	REFLECTOR (YELLOW)			

STEERING-DRIVE SYSTEM



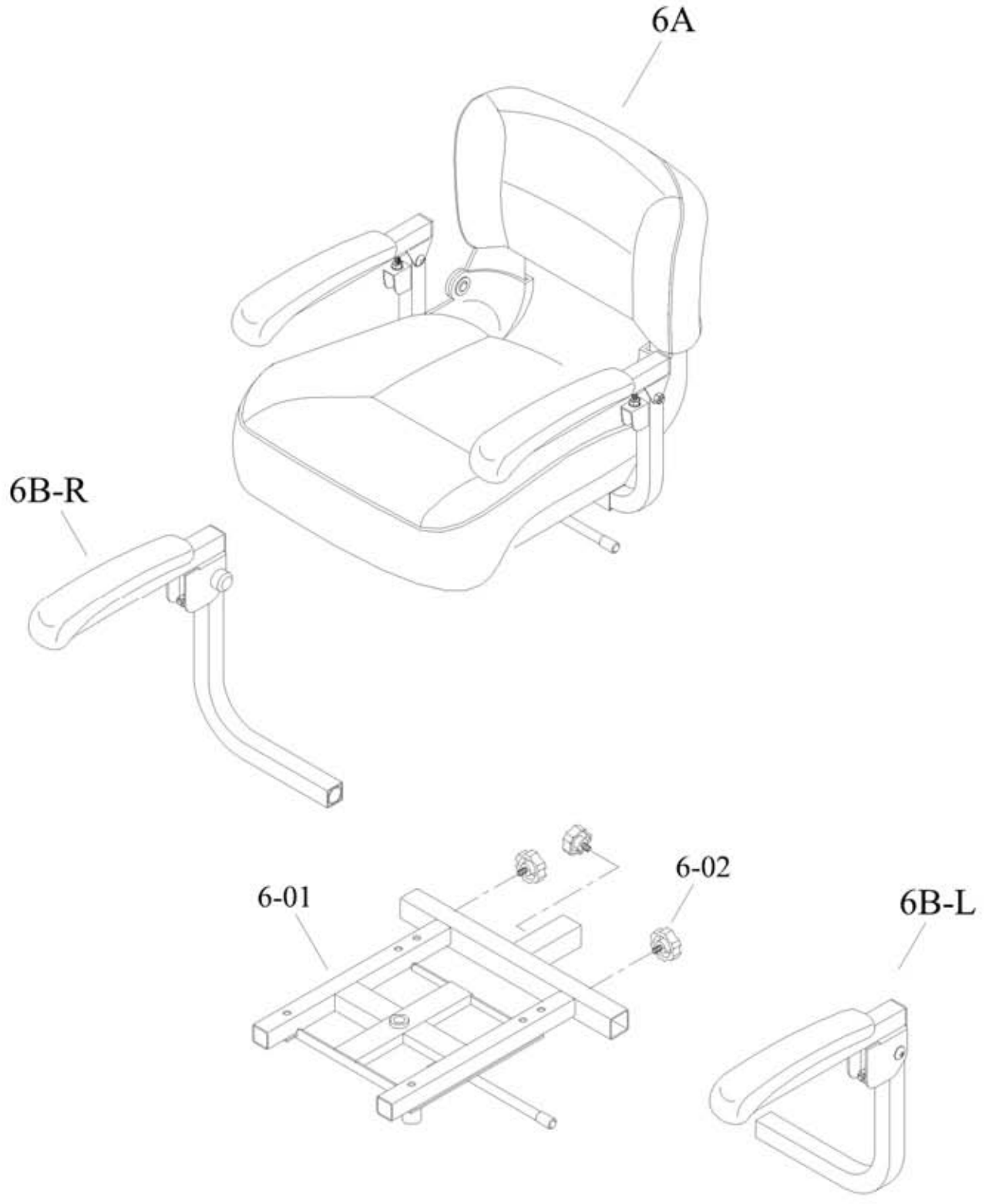
CHASSIS MOULDINGS



REAR CHASSIS ASSEMBLY-DRIVE SYSTEM

DRAWING NO.	PART NO.	PART NAME			
5A	AB07-1300	REAR CHASSIS ASSY.			
5B	AC11-1200	TRANS AXLE ASSY.			
5B-A	PA05-A111	MOTOR ASSY.			
5B-B	PA11-A600	F-99-S TRANS AXLE ASSY.			
5C	AC13-0300-GC	REAR WHEEL ASSY.			
5D	PA06-A701	SEAT POST ASSY.			
5-01	PA07-B200	BRACKET ASSY.			
5-02	PKE2-0403	CIRCUIT BREAKER 35AMP			
5-03	PM07-0202	BRACKET			
5-04	PM07-1100	SPACER			
5-05	PM11-0106	MAGNETIC BRAKE ASSY.			
5-06	PM12-0302	INNER RIM (STEEL) 10"			
5-07	PM12-0401	OUTER RIM (AL., BLACK) 10"			
5-08	PM13-0100	HUB (REAR)			
5-09	PP06-0202	SEAT POST REAR FLAT			
5-10	PP07-0102	ANTI-TIP WHEEL SMALL			
5-11	PP07-0300	CHARGER SOCKET GASKET			
5-12	PP92-0001	VALVE CAP			
5-13	PP92-0200-GC	2.80/2.50-4 TYRE			
5-14	PP93-0200-C	2.80/2.50-4 TUBE			
5-15	PV00-0702-1	7/16×8×48L BOLT			
5-16	PV06-0801	RELEASE TIGHTEN KNOB			

SEAT ASSEMBLY



SEAT ASSEMBLY

DRAWING NO.	PART NO.	PART NAME			
6A	AD00-0600-B1	SEAT ARMREST ASSY.			
6B-L	AD14-0700-L	ARMREST LEFT ASSY.			
6B-R	AD14-0700-R	ARMREST RIGHT ASSY.			
6-01	PM15-0104	SEAT STAND			
6-02	PP00-0200	TIGHTEN KNOB			

CONSOLE AND WIRING SYSTEM

