

FreeRider[®]
working together

SPARE PARTS MANUAL

Knightsbridge

FR168-3



U.K. 168-3---BR2GBA2

INDEX

P1 HANDLE BAR ASSEMBLY

P2 CHASSIS MOULDINGS

P3 STEERING

P4 FRONT CHASSIS ASSEMBLY

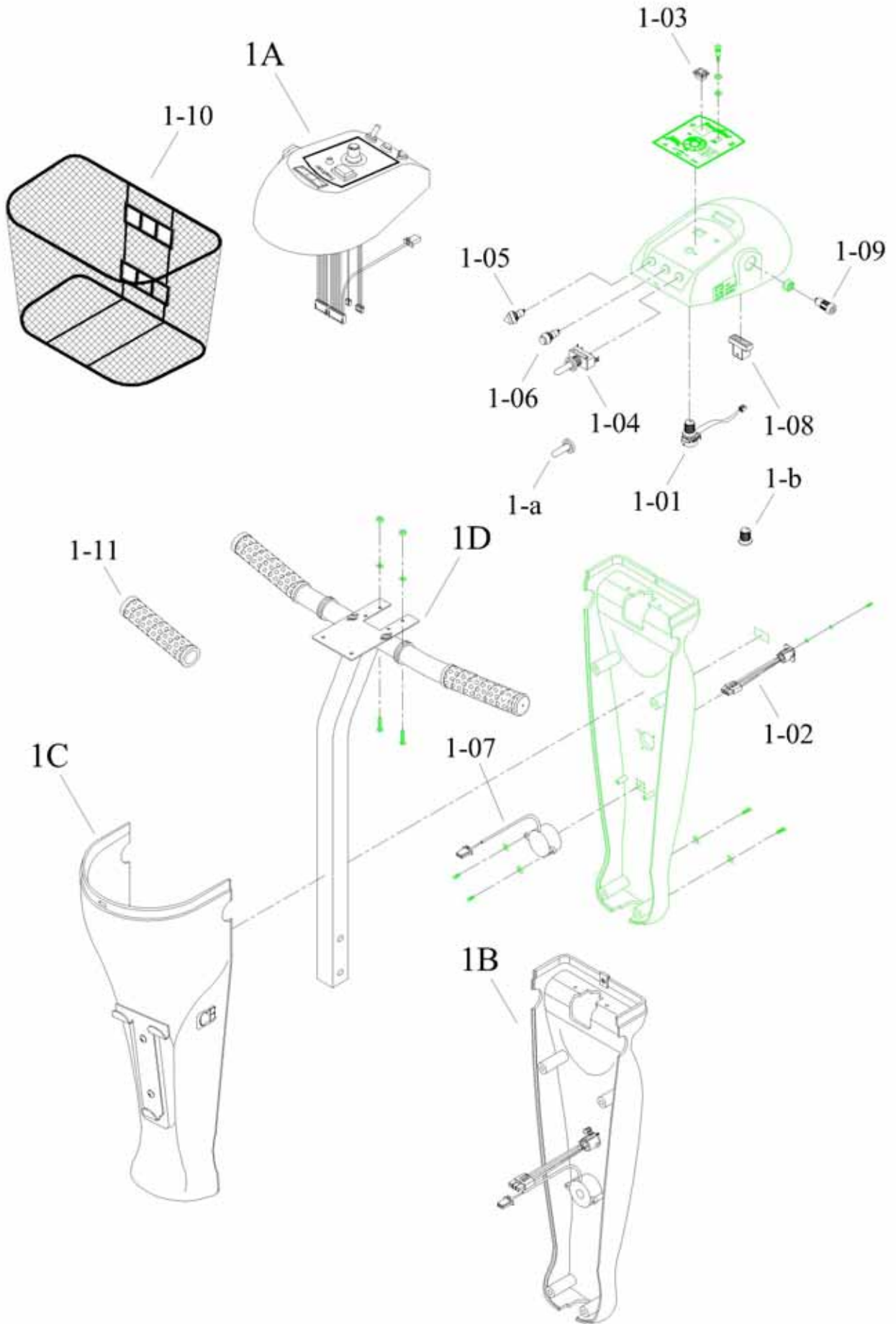
P5 REAR CHASSIS ASSEMBLY-

DRIVE SYSTEM

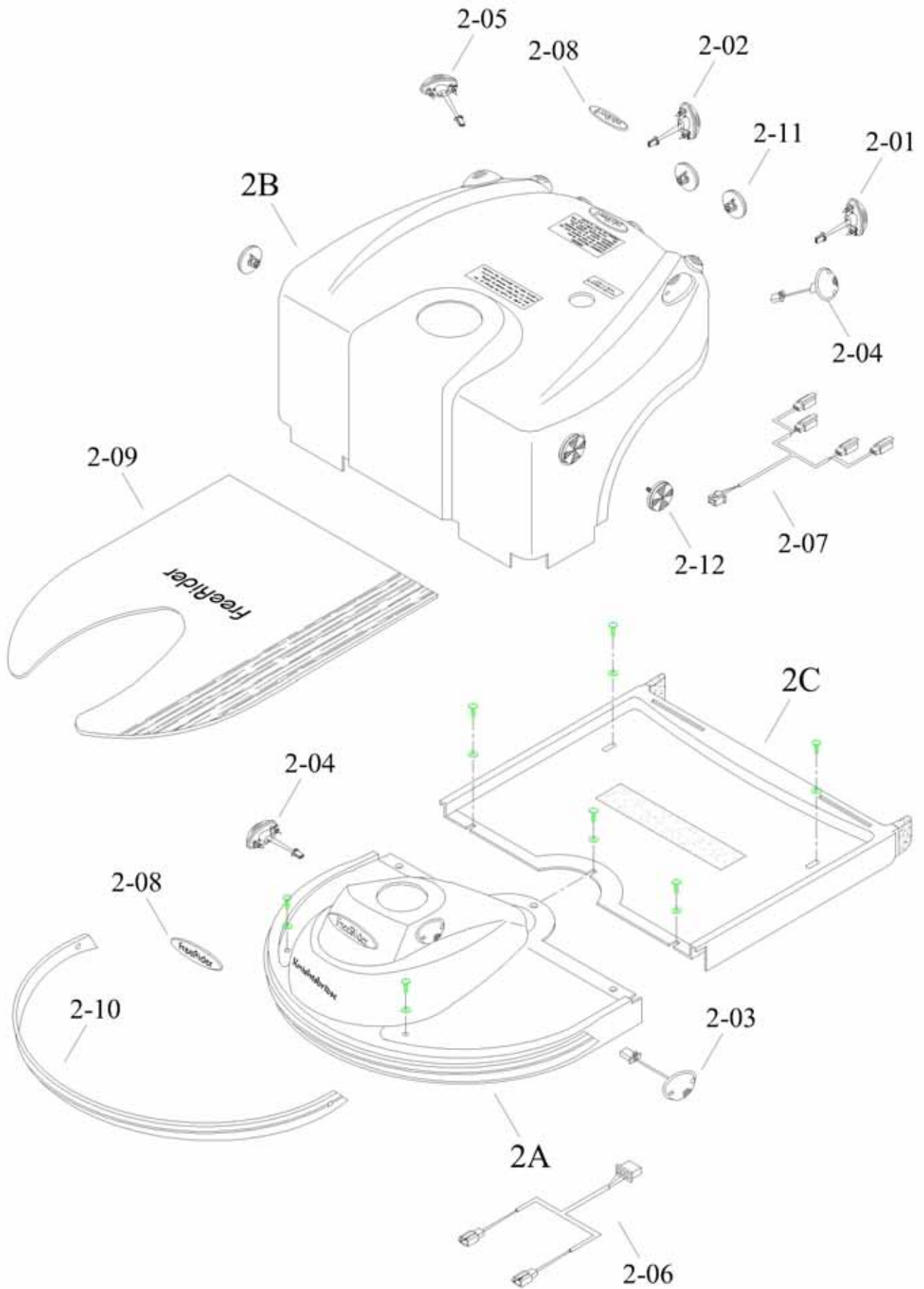
P6 SEAT ASSEMBLY

P7 CONSOLE AND WIRING SYSTEM

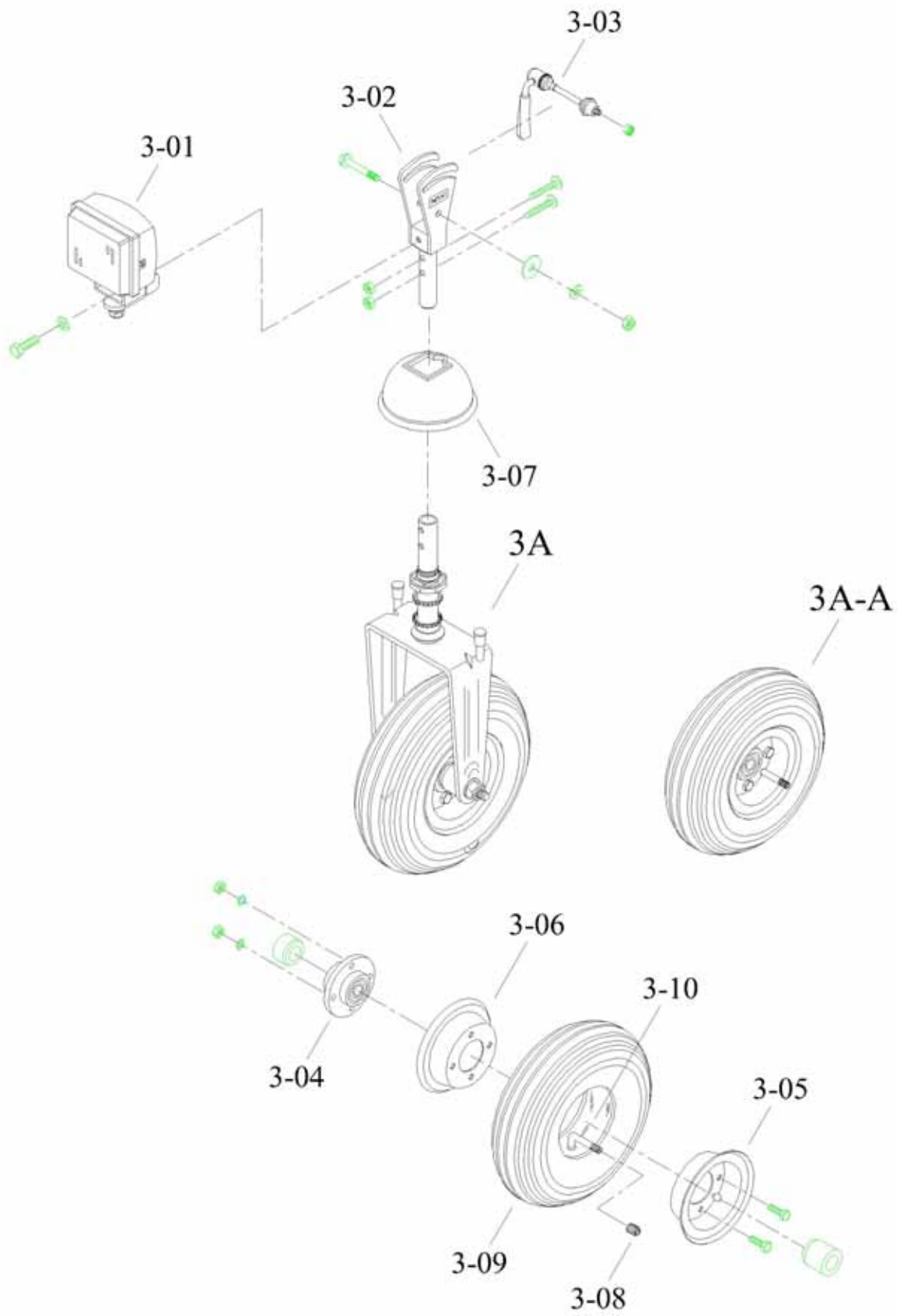
HANDLE BAR ASSEMBLY



CHASSIS MOULDINGS



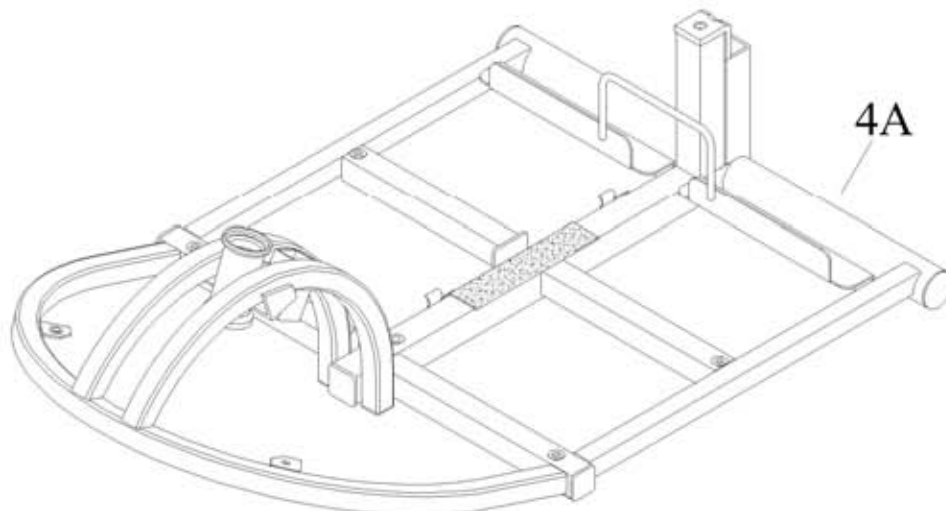
STEERING



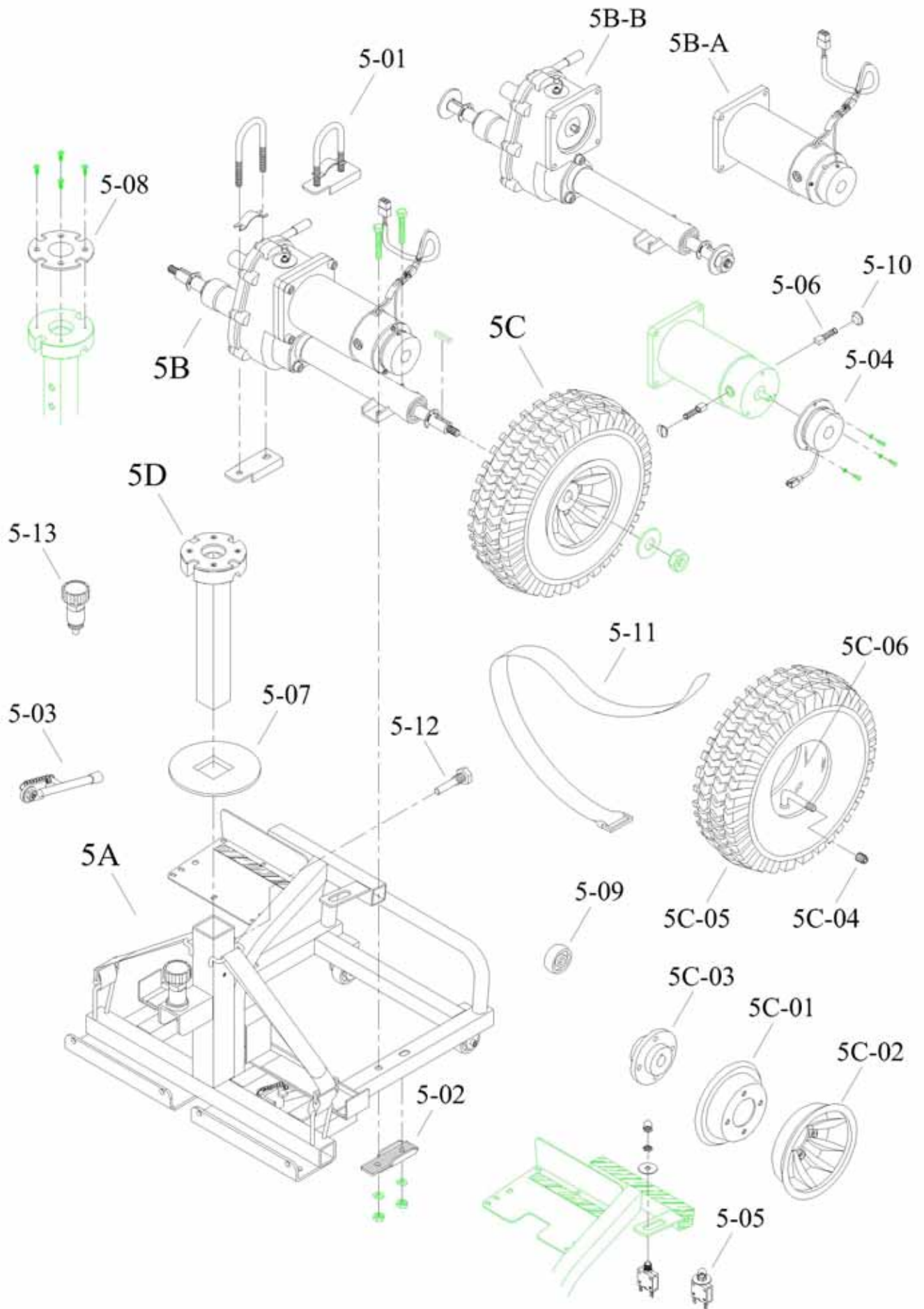
STEERING

DRAWING NO.	PART NO.	PART NAME			
3A	AC08-0402	STEERING SHAFT ASSY			
3A-A	AC12-0400-GI	FRONT WHEEL ASSY.			
3-01	PA06-A102	HEAD LIGHT ASSY			
3-02	PA10-A100	HANDLE BAR JOINTBASE ASSY.			
3-03	PA10-A200	TIGHTEN HANDLE ASSY.			
3-04	PA12-A100	HUB ASSY. (FRONT)			
3-05	PM12-0301	OUTER RIM 10"			
3-06	PM12-0302	INNER RIM (STEEL) 10"			
3-07	PP10-0101	RUBBER COVER FRONT			
3-08	PP92-0001	VALVE CAP			
3-09	PP92-0300-GI	(3.00-4) TYRE			
3-10	PP93-0300-I	(3.00-4) TUBE			

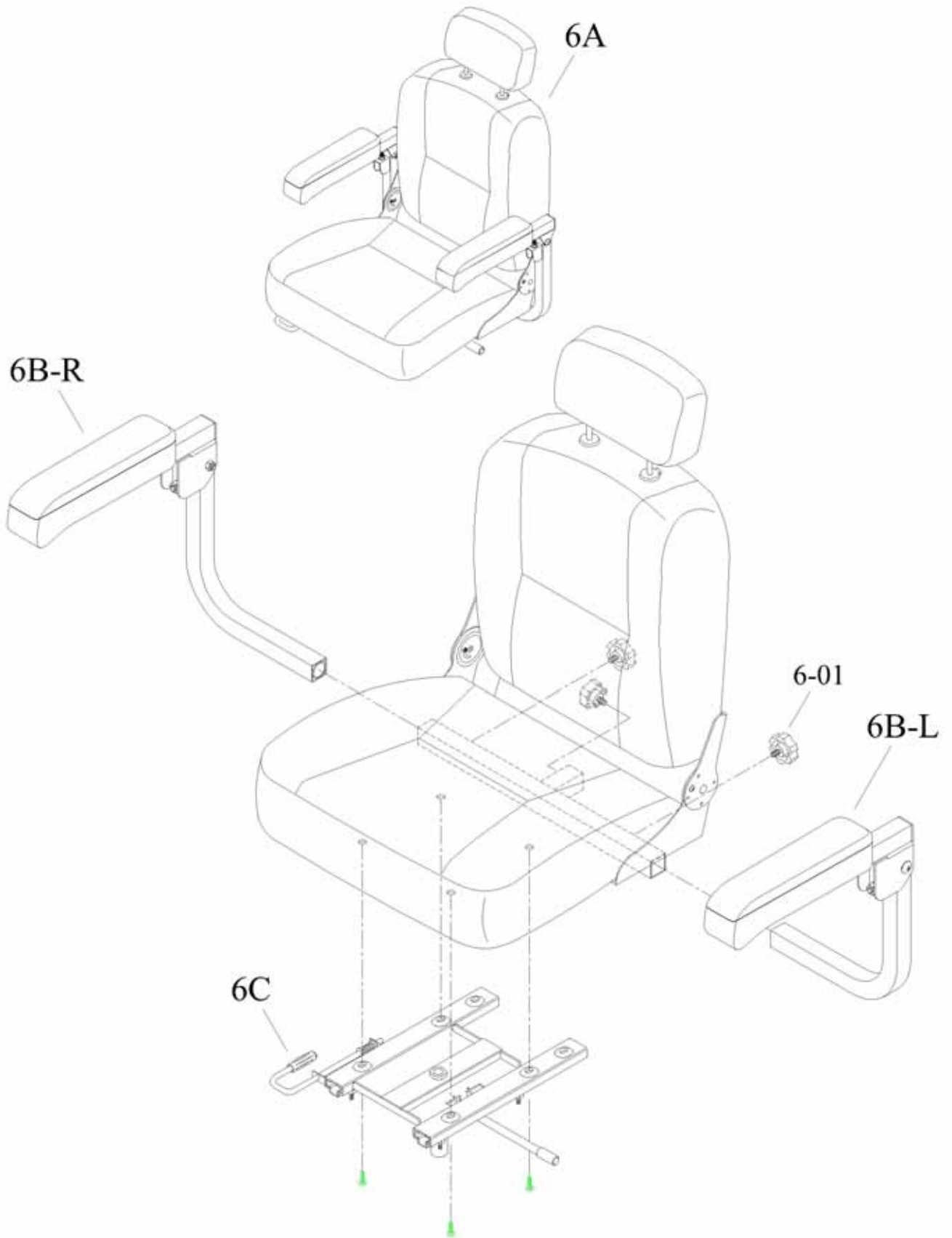
FRONT CHASSIS ASSEMBLY



REAR CHASSIS ASSEMBLY-DRIVE SYSTEM



SEAT ASSEMBLY



SEAT ASSEMBLY

DRAWING NO.	PART NO.	PART NAME			
6A	AD00-0220-G1	CAPTAIN'S SEAT ASSY.			
6B-L	AD14-0600-L	ARMREST LEFT ASSY.			
6B-R	AD14-0600-R	ARMREST RIGHT ASSY.			
6C	PA15-A100	RAIL WITH SEAT STAND ASSY.			
6-01	PP00-0200	TIGHTEN KNOB			

CONSOLE AND WIRING SYSTEM

