



SPARE PARTS MANUAL

Mayfair-s

FR168-4S2b



△				
△				
△				
版次 REV NO	日期 DATE	修改内容 DESCRIPTION	修訂 REVISAL	審核 CHECKED

INDEX

P1 HANDLE BAR ASSEMBLY

P2 FRONT CHASSIS ASSEMBLY

P3 CHASSIS MOULDINGS

P4 REAR CHASSIS ASSEMBLY-DRIVE SYSTEM

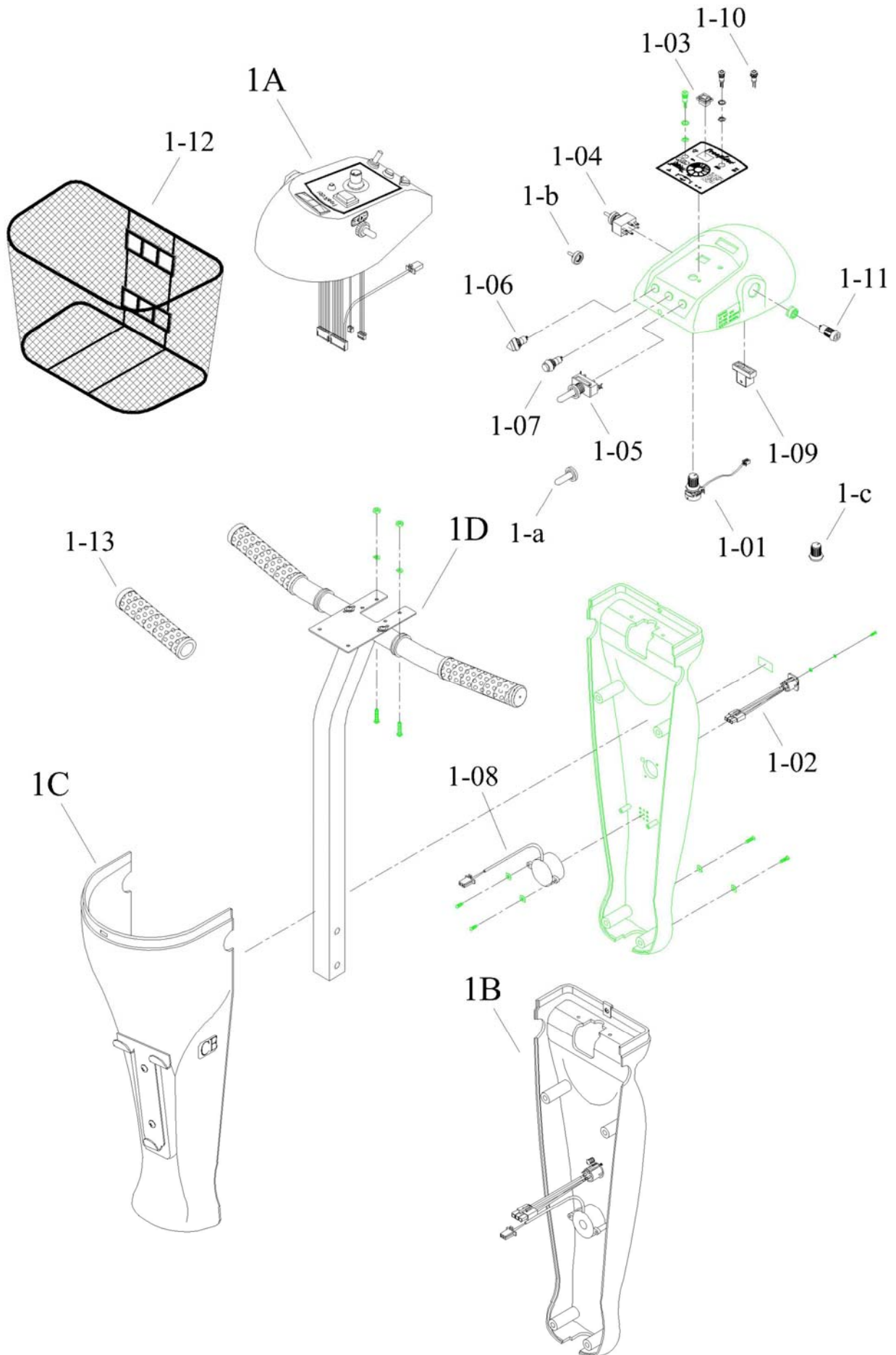
P5 STEERING

P6 HAND BRAKE ASSEMBLY

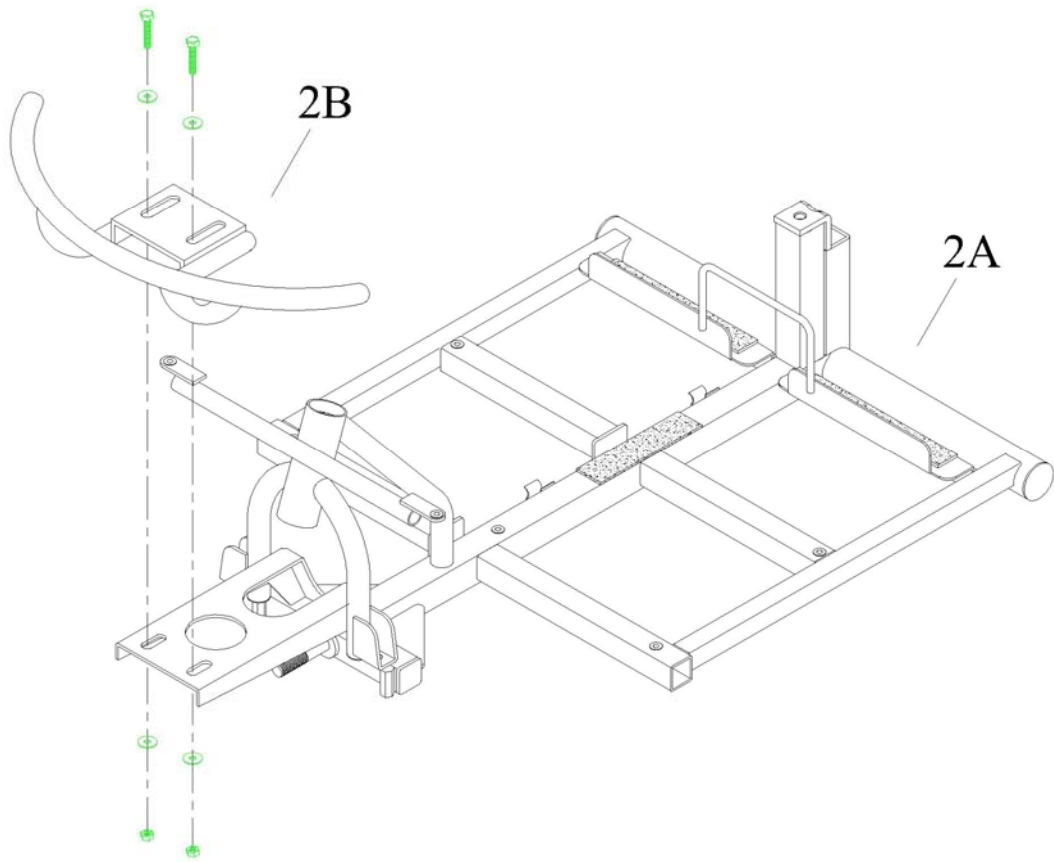
P7 SEAT ASSEMBLY

P8 CONSOLE AND WIRING SYSTEM

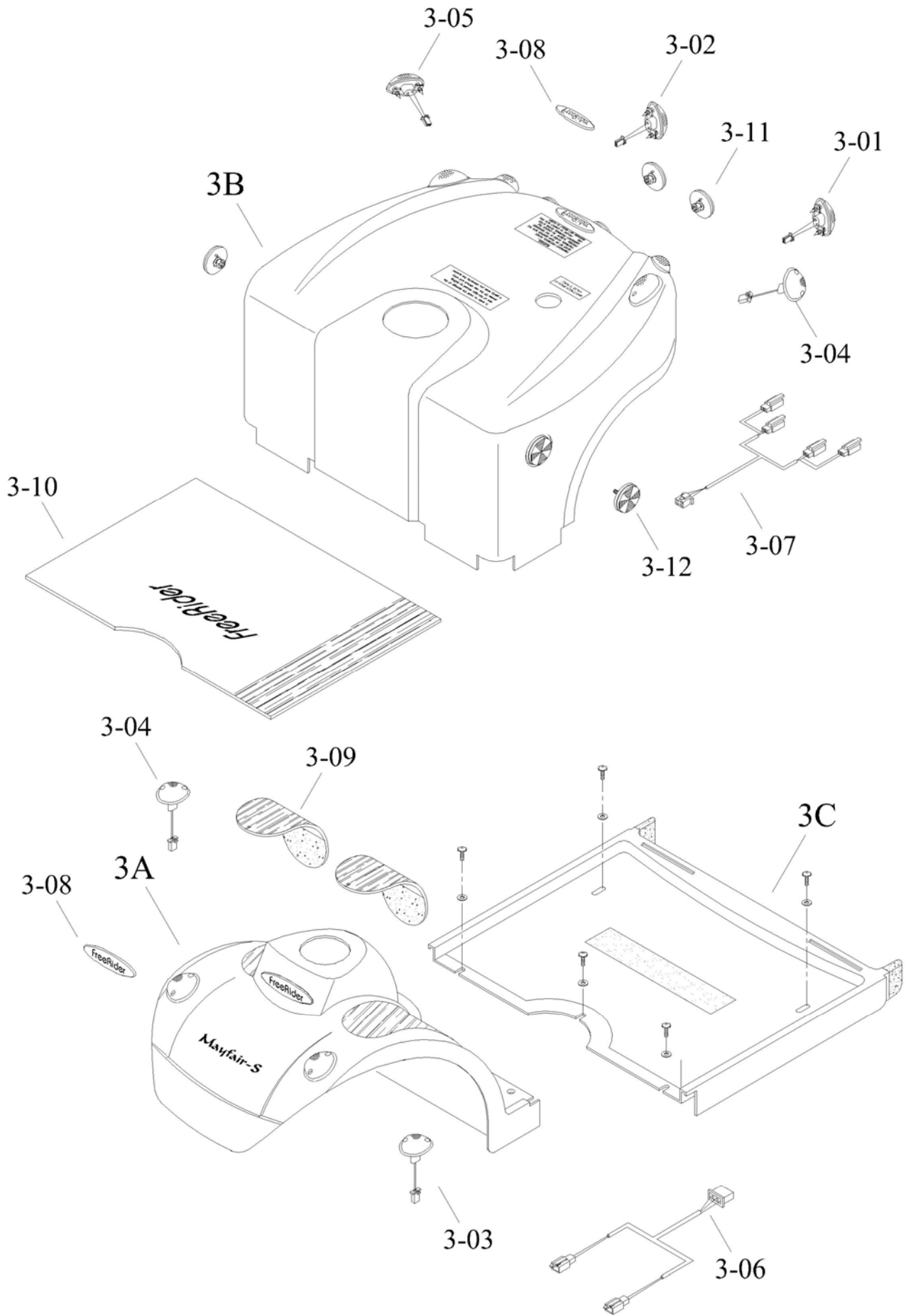
HANDLE BAR ASSEMBLY



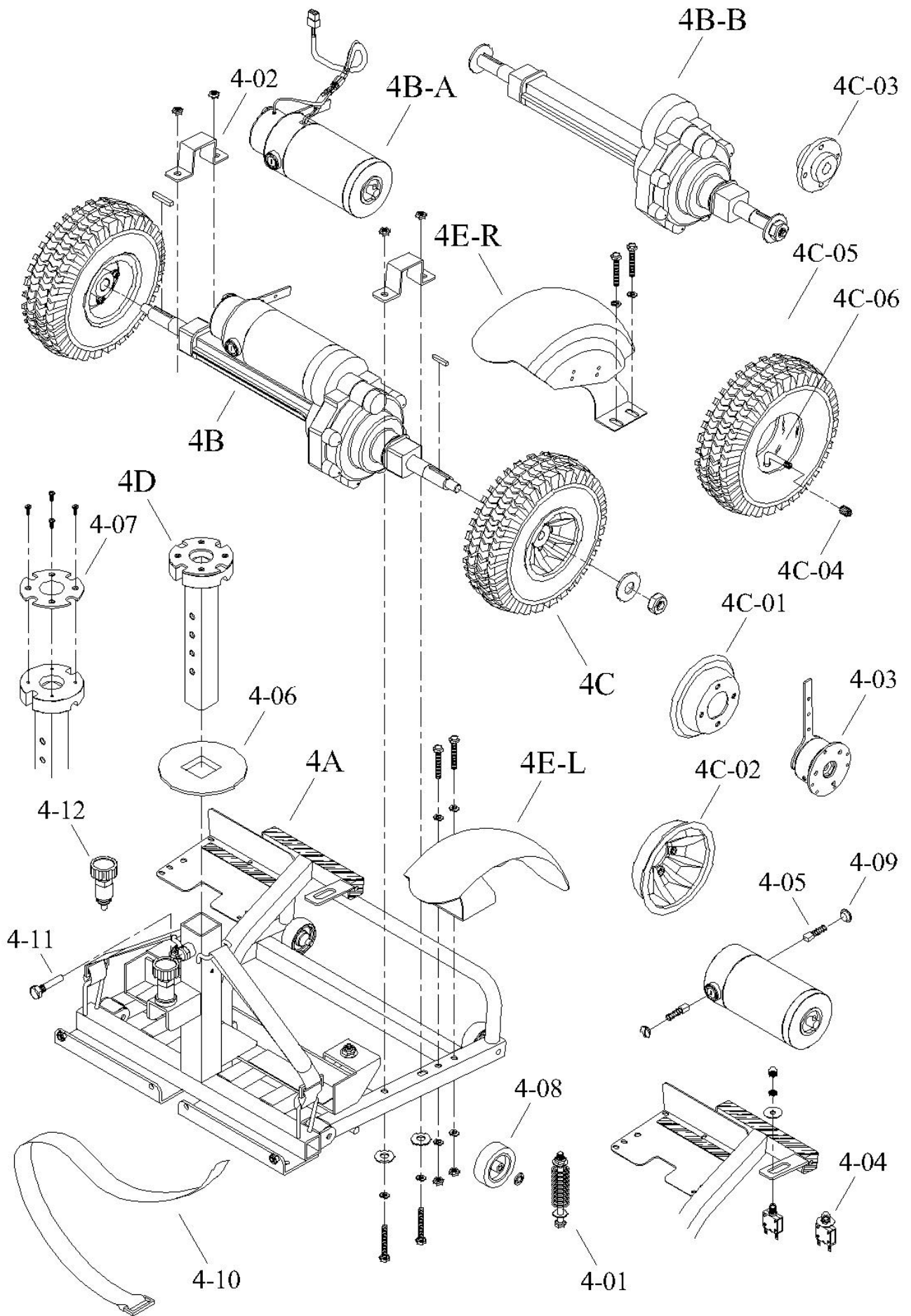
FRONT CHASSIS ASSEMBLY



CHASSIS MOUNTINGS



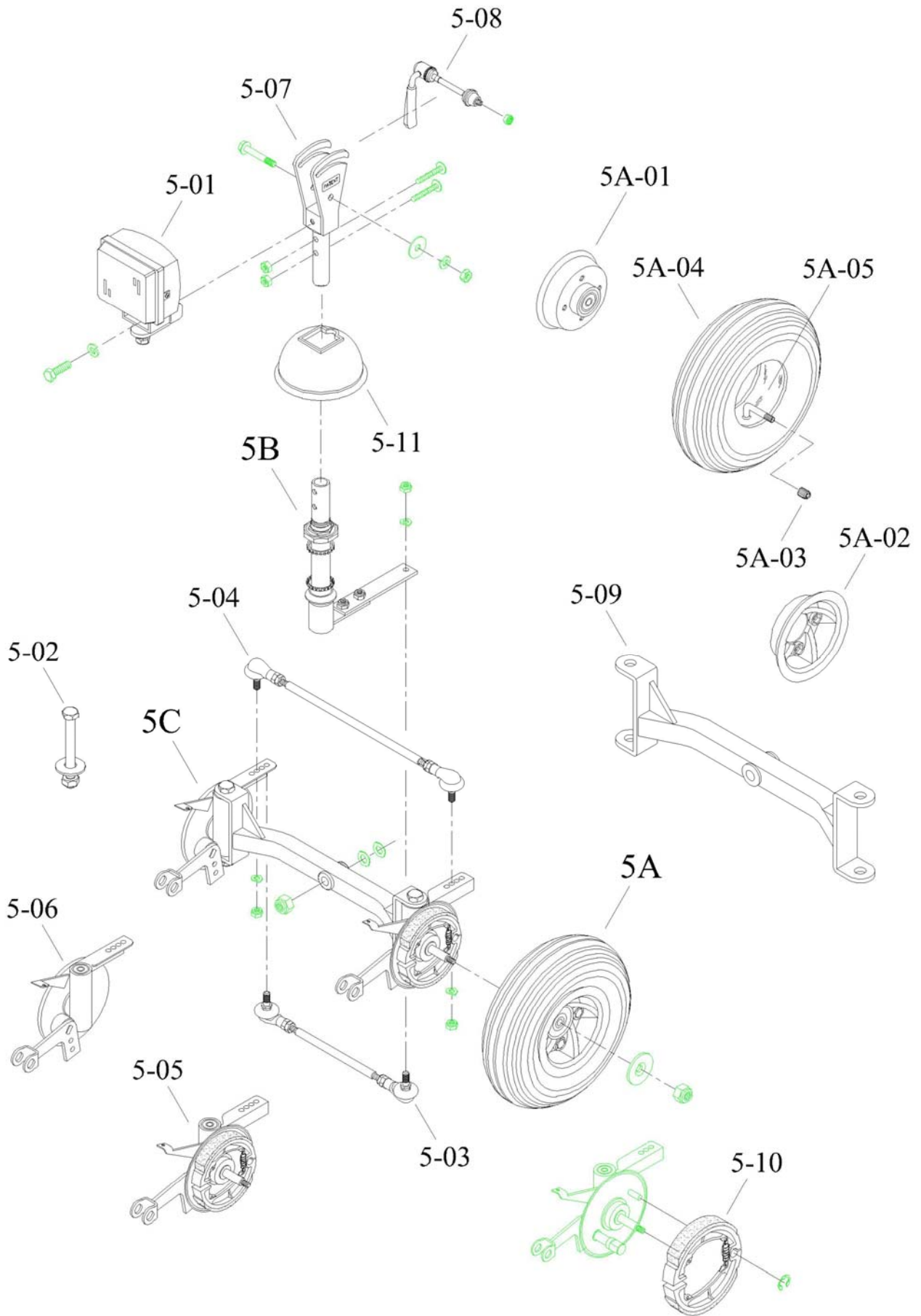
REAR CHASSIS ASSEMBLY-DRIVE SYSTEM



REAR CHASSIS ASSEMBLY-DRIVE SYSTEM

DRAWING NO.	PART NO.	PART NAME	€	GBP	USD
4A	AB07-0504-S	REAR CHASSIS ASSY.			
4B	AC11-2001	102 TRANS AXLE ASSY.			
4B-A	PA05-A126-A	5100RPM/600W MOTOR ASSY.			
4B-B	PA11-A901	19:1 TRANS AXLE ASSY.			
4C	AC13-0401-DI	REAR WHEEL ASSY. (LEFT)			
4C-01	PM12-0300	INNER RIM (STEEL) 13"			
4C-02	PM12-0400	OUTER RIM (AL., BLACK) 13"			
4C-03	PM13-0104	D19 HUB (REAR)			
4C-04	PP92-0001	VALVE CAP			
4C-05	PP92-0401-DI	(4.10/3.50-5) TYRE			
4C-06	PP93-0401-I	(4.10/3.50-5) TUBE			
4D	PA06-A701	SEAT POST ASSY.			
4E-L	PA07-B104-L	BRACKET ASSY. (LEFT)			
4E-R	PA07-B104-R	BRACKET ASSY. (RIGHT)			
4-01	PA06-B100	PRESSING SPIRAL SPRING ASSY.			
4-02	PM07-0107	BRACKET			
4-03	PM11-0107	MAGNETIC BRAKE			
4-04	PKE2-0404	CIRCUIT BREAKER70AMP			
4-05	PM11-0408-41	MOTOR CARBON BRUSH			
4-06	PP06-0102	TUBBER COVER REAR FLAT			
4-07	PP06-0202	SEAT POST REAR FLAT			
4-08	PP07-0102	ANTI-TIP WHEEL SMALL			
4-09	PP11-0205	MOTOR CARBON BRUSH CAP			
4-10	PP90-0401	BATTERY FASTEN STRAP			
4-11	PV00-0702-1	7/16×8×48L BOLT			
4-12	PV06-0801	RELEASE TIGHTEN KNOB			

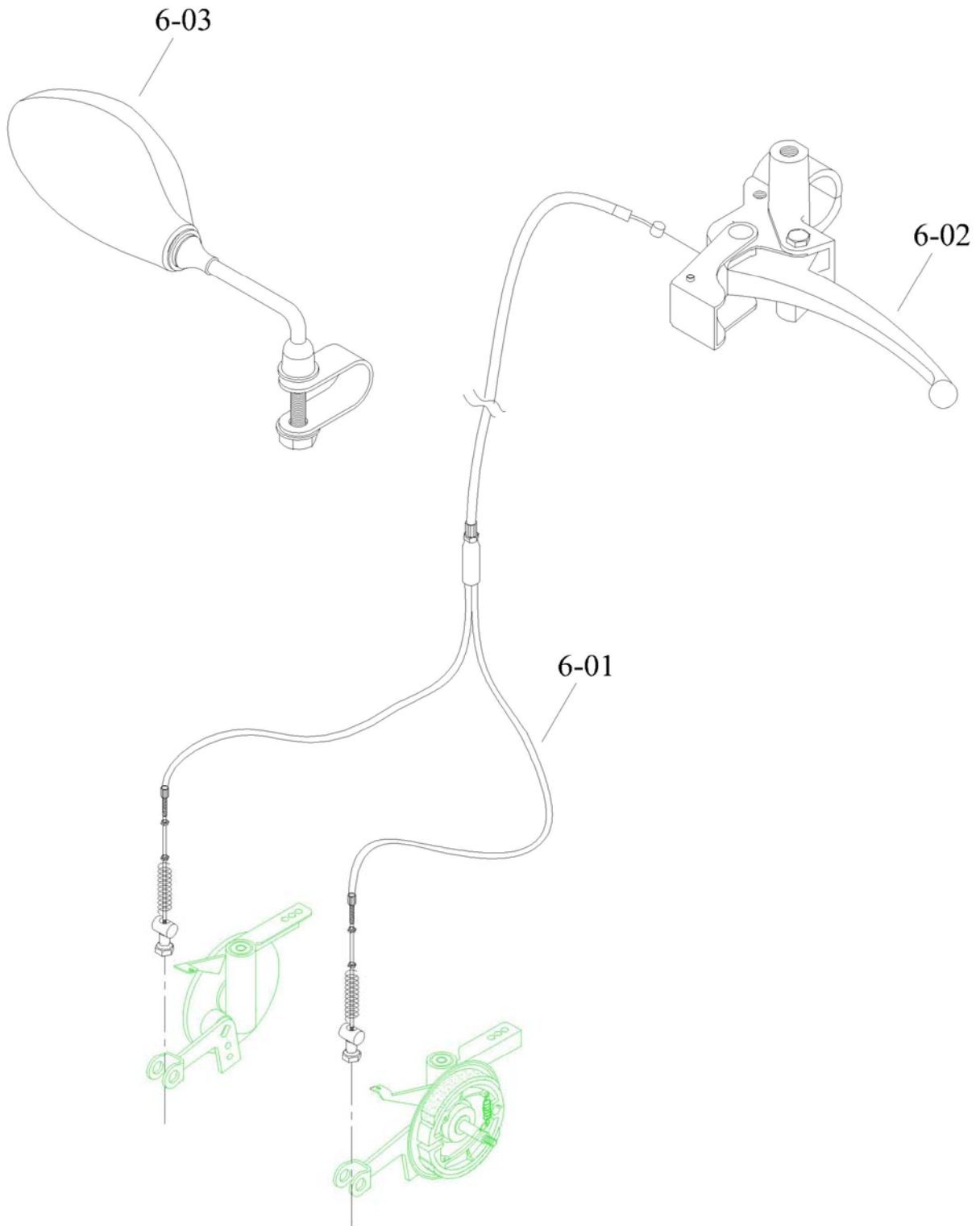
STEERING



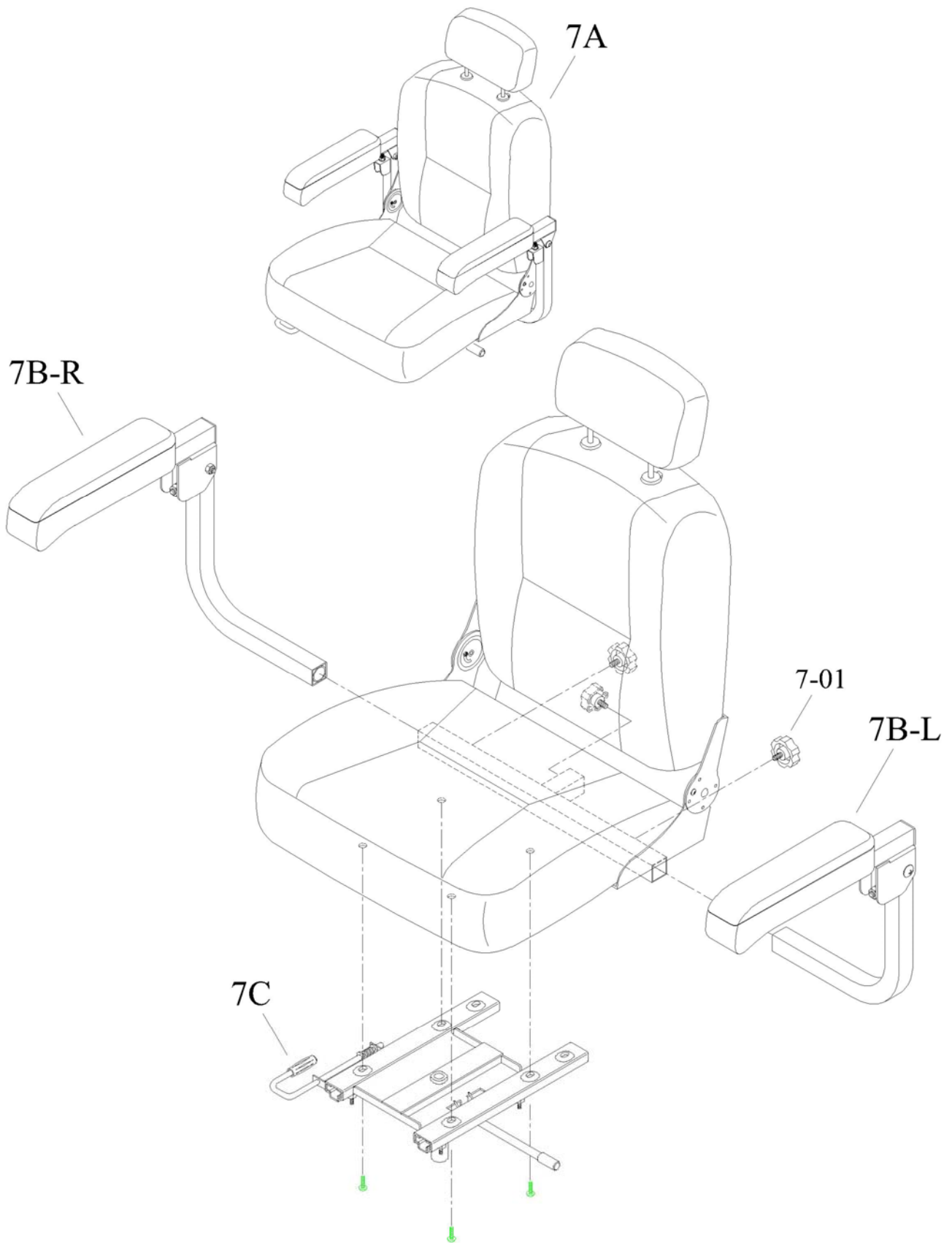
STEERING

DRAWING NO.	PART NO.	PART NAME	€	GBP	USD
5A	AC12-0503-DI	FRONT WHEEL ASSY.			
5A-01	PA19-A500	BRAKE DRUM ASSY			
5A-02	PM12-0401	OUTER RIM (AL., BLACK) 10"			
5A-03	PP92-0001	VALVE CAP			
5A-04	PP92-0300-DI	(3.00-4 IA-2802) TYRE			
5A-05	PP93-0300-I	(3.00-4) TUBE			
5B	AC08-0107-A	STEERING SHAFT ASSY.			
5C	PA00-A905	FRONT AXLE ASSY.			
5-01	PA06-A102	HEAD LIGHT ASSY			
5-02	PA06-B300	M12×P1.75×117L BOLT ASSY.			
5-03	PA09-A213	CONNECTING ROD SHORT ASSY.			
5-04	PA09-A214	CONNECTING ROD LONG ASSY.			
5-05	PA09-A300-L	STEERING SHAFT LEFT			
5-06	PA09-A300-R	STEERING SHAFT RIGHT			
5-07	PA10-A100	HANDLE BAR JOINTBASE ASSY.			
5-08	PA10-A200	TIGHTEN HANDLE ASSY.			
5-09	PM09-0507	FRONT AXLE			
5-10	PM19-0201	LINEAR DISC WITH SPRING			
5-11	PP10-0101	RUBBER COVER FRONT			

STEERING



CAPTAIN'S SEAT ASSEMBLY



CONSOLE AND WIRING SYSTEM

