



Regatta

OWNER'S HANDBOOK



Contents

- 1. Preface & Introduction**
- 2. Safety Notice**
 - 2.1 Before Driving
 - 2.2 Whilst Driving
 - 2.3 Labelling
 - 2.4 EMC
- 3. Parts Introduction**
- 4. Operation**
 - 4.1 Control Panel
 - 4.2 How to operate your scooter
 - 4.3 Driving on the Road
- 5. Battery Charging and Care**
 - 5.1 Charging the battery
 - 5.2 Charger
 - 5.3 Battery
- 6. Inspection and Maintenance**
 - 6.1 Daily checking
 - 6.2 Regular checking record
 - 6.3 Battery, fuse and tyre
 - 6.4 Maintenance
 - 6.5 Storage
 - 6.6 Moving about
 - 6.7 Disassembling the scooter for transportation
- 7. Troubleshooting and Specification**
- 8. Warranty**
 - 8.1 VIN
 - 8.2 Warranty Conditions






1. Preface and Introduction

Please carefully read this owner's manual before using the vehicle. Improper user of the vehicle could result in harm, injury or traffic accidents. Therefore for maximum pleasure whilst using the vehicle please read this owner's manual.

This owner's manual includes operation instructions for every aspect of the vehicle, assembly instructions and advice for how to deal with possible accidents.

The symbols used in this manual are explained below.

	Warning	Improper use could lead to death or serious injury
	Attention	Improper use could lead to injury and/or damage to your scooter
	Suggestion	Follow these instructions to keep your vehicle in good working order

This manual includes a repair and maintenance record chart and warranty details. Please keep it in a safe place or with your scooter.

If someone else uses the scooter make sure that you provide him or her with this owners handbook for his or her consideration.

As designs change some illustrations and pictures in the manual may not correspond to the vehicle that you purchased. We reserve the right to make design modifications.

The Regatta scooter is part of the Mercury range, and has been designed and manufactured to provide a comfortable and secure yet affordable solution for some mobility requirements.

Mercury is a brand for Medicare Technology. Medicare Technology is an ISO 9000 and ISO 13485 certified manufacturer of medical devices and mobility aids. Other products in the Medicare Technology range include manual wheelchairs, electrically powered wheelchairs, walking aids, bathlifts and bathing equipment, rise recline armchairs and many more mobility and daily living aids. All Medicare Technology medical devices are CE marked.

2. Safety Notice

2.1 Before Driving

The user needs to be familiar with the use and operation of the vehicle before driving. Please bear the following safety notices in mind at all times.

- Ride on the pavement, single carriageways or pedestrian areas only. Never ride on motorways or dual carriageways.
- When driving on the road (or crossing the road), be aware of traffic and other road users.
- Use extreme caution when driving your scooter on busy streets or in shopping malls.
- Do not drive your scooter when you are tired or after consuming drugs or alcohol. Driving under the influence of alcohol or drugs may be an offence under the Road Traffic Act.

- Take care when driving your scooter in low light. It has not been designed for use at night.
- The scooter may only be driven on the pavement or pedestrian areas at speeds up to 4mph (6.4kph). Use the indoor / outdoor switch on the lower setting to ensure you do not exceed this speed. The scooter may be driven on single carriage roads with the indoor / outdoor switch set to outdoor. This will allow speeds up to 8mph (12.8kph) for the Regatta and 6mph (10kph) for the Regatta 6.

Practice operating your vehicle

Before using the scooter in busy or potentially dangerous areas, familiarize yourself with the operation of your scooter. Please practice in a wide and open area like a park. In order to avoid accidents with your scooter whilst driving, bear in mind driving motions such as accelerating, braking, turning, reversing and gradients.

- Turn the speed dial approximately 90° clockwise from the lowest setting for your initial practice
- For safety, ensure somebody accompanies you when driving on the road for the first time
- Only use the higher speed setting when you are confident that you can easily operate and control your scooter

The Regatta scooter can only be used by one person at a time

- Do not carry passengers on your scooter (including children)

Maximum user mass (weight capacity)

- The maximum weight that can be carried is 160kg / 25 stone (including occupant and any goods) on the Regatta, and 135kg / 21 stone on the Regatta 6.
- The maximum weight which can be carried in the basket is 3kg / 7lb.
- Do not use the scooter to carry or haul goods.

2.2 Whilst Driving

Please carry out daily inspections. Refer to the section entitled ‘Daily Checking’.

Do not move your body out of the vehicle whilst moving

- Such action may cause you to lose your balance and risk injury from falling
- Pay attention that your clothing and other garments do not get tangled or caught in the wheels

Do not use your vehicle in the following environments

- On roads with heavy traffic or roads that are muddy, gravelly, bumpy, narrow, snowed over or icy.
- Places where you might get the wheels stuck.
- On canal towpaths which are not guarded by any fence or hedge.
- Do not drive at night or if it is raining heavily, snowing, misty or windy.
- Do not drive your vehicle in an 'S' pattern or make erratic turnings.
- Do not take the scooter onto escalators.
- Under no circumstances should the scooter be used as a seat in a motor vehicle (e.g. cars, buses, trains, etc)

Gradients and Drops

- Do not drive on roads with large drops or potholes. Such drops or potholes may cause damage and/or injury.
- The Regatta is capable of climbing a 80mm (3") obstacle when stationary or a 100mm (4") obstacle when moving. The Regatta 6 can climb an obstacle up to 75mm (3"). However, it is not recommended as this may cause damage and/or injury.
- The ground clearance of the scooter is 160mm (6¼") for the Regatta, and 75mm (3") for the Regatta 6.
- Do not cross wide water gutters where there is a risk of getting the wheels stuck.
- Always use a low speed setting when ascending or descending a gradient.
- The Regatta 6 and Regatta should only be used on gradients 8° or less.
The Regatta can be used on gradients 12° but only if the user is less than 135kg.



Warning

Do not set in freewheel mode when driving on a gradient.

Always re-engage the anti-freewheel device before use. Failure to do so may result in injury.

- To protect your safety, the power will automatically cut off and the electromagnetic (EM) brake will activate while you are driving down gradients over 15°. This will limit the speed to a safe level. Switch the power off and on again to restart your scooter.

2.3 Labelling



Please carefully read all labels on the scooter before driving it. For your future reference, do not remove them

WARNING

- ⊗ Do not operate the scooter unless the handle bar is in a lock position.
- ⊗ Do not lean against or pull forward on the handle bar while mounting or dismounting from the scooter. Serious harm or injury can occur.

The manufacturer disclaims all responsibility for any personal injury or property damage which may occur as a result of improper use of its products.

②	<p>WARNING Emergency Freewheel Device. Always re-engage the emergency freewheel device after use. Failure to do so may result in injury</p>	<p>DRIVE</p> <p>NEUTRAL</p>
---	--	-----------------------------

NEVER LIFT THE SCOOTER UP BY THE FRONT OR REAR SHROUD

③

USER MASS 160kg
 MEDICARE TECHNOLOGY LTD,
 HX5 9JP

④

WARNING:

Radio waves may affect scooter control.

Radio wave sources, such as radio stations, amateur radio (HAM) transmitters, two - way radios, and cellular phones, can affect powered motorized scooters. Following the warning listed below should reduce the chance of unintended brake release or powered scooter movement which could result in serious injury. .

1. Do not turn ON hand-held personal communication devices, such as citizens band (CB) radios and cellular phones, while the powered scooter is turned ON.
2. Be aware of near by transmitters, such as radio or TV stations, and try to avoid coming close to them.
3. If unintended movement or brake release occurs, turn the powered scooter OFF as soon as it is safe.
4. Be aware that adding accessories or components, or modifying the powered scooter, may make it more susceptible to interference from radio wave sources. (Note: There is no easy way to evaluate their effect on powered scooter.)
5. Report all incidents of unintended movement or brake release to the powered scooter manufacturer, and note whether there is a radio wave source nearby.

This portion of the content will provide the user with basic information that describes the problems with EMI, known sources of EMI, protective measures either to lessen the possibility or exposure or to minimize the degree of exposure, and suggested action should unexpected or erratic movement occur.



Attention: It is very important that you read this information regarding the possible effects of electromagnetic interference on your **Regatta** scooter.

2.4.1 Electromagnetic Interference (EMI) for Radio Wave Sources

Powered scooters may be susceptible to electromagnetic interference (EMI), which is interfering electromagnetic energy (EM) emitted from sources such as radio stations, TV stations, amateur radio (HAM) transmitters, two-way radios, and mobile phones. The interference (from radio wave sources) can cause the powered scooter to release its brakes, move by itself, or move in unintended directions. It can also permanently damage the powered scooter's control system. The intensity of the interfering EM energy can be measured in volts per meter (V/m). Each powered scooter can resist EMI up to a certain intensity. This is called its "immunity level". The higher the immunity level, the greater the protection. At this time, current technology is capable of achieving at least a 20 V/m immunity level, which would provide useful protection from the more common sources of radiated EMI. This powered scooter model as shipped, with no further modification, has an immunity level of 20 V/m without any accessories.

There are a number of sources of relatively intense electromagnetic fields in the everyday environment. Some of these sources are obvious and easy to avoid. Others are not apparent and exposure is unavoidable. However, we believe that by following the warning listed below, your risk to EMI will be minimized.

The sources of radiated EMI can be broadly classified into three types:

1. Hand-held portable transceivers (transmitter-receivers with the antenna mounted directly on the transmitting unit). Examples include: citizens band (CB) radios, "walkie talkies", security, fire, and police transceivers, mobile telephones and other personal communication devices.



Attention:

Some mobile telephones and similar devices transmit signals while they are ON, even when not being used.

2. Medium-range mobile transceivers, such as those used in police cars, fire trucks, ambulances and taxis. These usually have the antenna mounted on the outside of the scooter.
3. Long-range transmitters and transceivers, such as commercial broadcast transmitters (radio and TV broadcast antenna towers) and amateur (HAM) radios.



Attention: Other types of hand-held devices, such as cordless phones, laptop computers, AM/FM radios, TV sets, CD players, and cassette players, and small appliances, such as electric shavers and hair dryers, so far as we know, are not likely to cause EMI problems to your powered scooter.

2.4.2 Powered Scooter Electromagnetic Interference

Because EM energy rapidly becomes more intense as one moves closer to the transmitting antenna (source), the EM fields from hand-held radio wave sources (transceivers) are of special concern. It is possible to unintentionally bring high levels of EM energy very close to the control system of the scooter while using these devices. This can affect powered scooter movement and braking. Therefore, the warnings listed below are recommended to prevent possible interference with the control system of the powered scooter.

2.4.3 Warnings

Electromagnetic interference (EMI) from sources such as radio and TV stations, amateur radio (HAM) transmitters, two-way radios, and mobile phones can affect powered scooters. Following the warnings listed below should reduce the chance of unintended brake release or powered scooter movement which could result in serious injury.

1. Do not operate hand-held transceivers-receivers, such as citizens band (CB) radios, or turn ON personal communication devices, such as mobile phones, while the powered scooter is turned ON;
2. Be aware of nearby transmitters, such as radio or TV stations, and try to avoid coming close to them;
3. If unintended movement or brake release occurs, turn the powered scooter OFF as soon as it is safe;
4. Be aware that adding accessories or components, or modifying the powered scooter, may make it more susceptible to EMI (Note: There is no easy way to evaluate their effect on the overall immunity of the powered scooter).
5. Report all incidents of unintended movement or brake release to the powered scooter manufacturer, and note whether there is a source of EMI nearby.

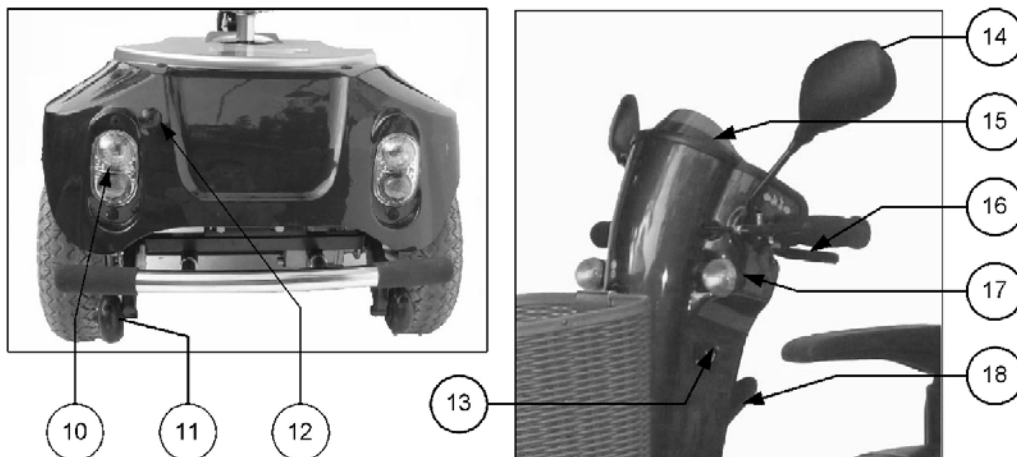
2.4.4 Important Information

1. 20 Volts per Metre (V/m) is a generally achievable and useful immunity level against EMI (the higher the level, the greater the protection);
2. This product has an immunity level of 20 V/m without any accessories connected to it.

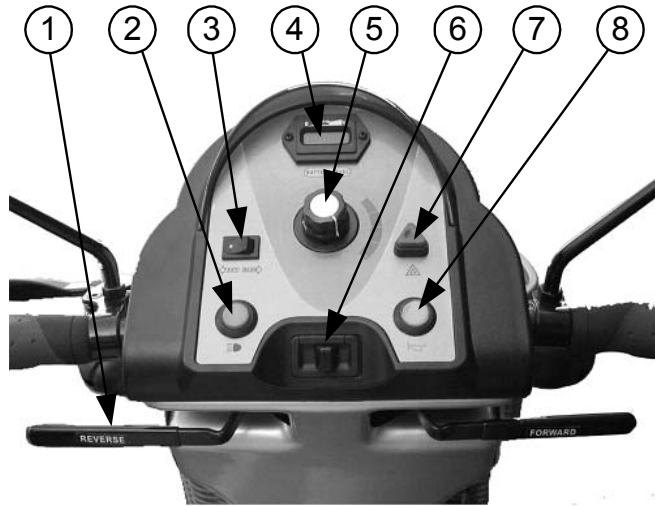
3. Parts Description

3.1 Parts Description

- | | | |
|------------------------|--------------------------------|------------------------------|
| 1. Basket | 8. Battery lid | 14. Rear view mirror |
| 2. Headlight | 9. Side reflector | 15. Control panel |
| 3. Arm rest pad | 10. Rear headlight / indicator | 16. Handbrake |
| 4. Head rest | 11. Anti-tip wheel | 17. Front indicator |
| 5. Seat | 12. Freewheel Lever | 18. Tiller adjustment handle |
| 6. Seat recline handle | 13. Charging socket | |
| 7. Sliding seat handle | | |



4. Operation



4.1 Control Panel

1. Wigwag Paddle
2. Head Light / Rear Light Switch
3. Indoor / Outdoor Switch
4. Battery Gauge
5. Speed Dial
6. Indicator Switch
7. Hazard Warning Light Switch
8. Horn Button

4.2 How To Operate Your Scooter

- **Ignition Switch**

Use the ignition switch located on the tiller head to switch the scooter on and off. Insert the key in to the ignition and turn the key 90° clockwise to switch the scooter on, or 90° anticlockwise to switch the scooter off.

- **Forward, Reverse and Braking with the Wigwag paddle**

- Push the wigwag paddle section marked 'Forward' with your right thumb and the scooter will move forward.
- Push the wigwag paddle section marked 'Reverse' with your left thumb and the scooter will move backwards. When you are reversing, the horn will beep to warn other people.
- Release the wigwag paddle and the scooter will automatically brake and come to a stop.
- Do not push both sides of the wigwag paddle simultaneously as this may cause damage to your scooter.
- The controls can be reversed for people who are left-handed or do not have full use of their right arm. For more information about this please contact your dealer.

- **Manual Brake**

As well as an electromagnetic brake, the scooter has a manual cable brake. Squeeze the brake lever to apply the brake then release the lever to release the brake.

- **Battery Indicator**

- When the ignition is switched on the battery gauge will illuminate to indicate the remaining battery power by the number of segments lit on the battery gauge. The remaining power indicated by the gauge will vary by the way you drive. Driving up inclines and repeated stopping and starting will consume power more quickly.

- If the battery gauge flashes but the scooter will still drive, then this indicates low battery power and the batteries should be recharged immediately. If the battery gauge flashes and the scooter will not drive, this indicates that a fault has been detected with the scooter. In this case seek advice from your dealer.



Suggestion

1. You should recharge the batteries each time the vehicle is used to ensure maximum range and optimal battery performance. If the scooter is stood idle, the batteries should still be charged once a week to maintain battery performance.
2. After charging or replacing a new battery, drive the vehicle for 2 to 3 minutes to ensure the battery capacity is sufficient. Then charge the battery immediately if not recently charged.
3. In wintertime, the battery may respond more slowly and battery range may be reduced. Cold temperatures temporarily reduce battery performance.
4. When driving on a gradient, the battery gauge reading might fluctuate. This is a normal phenomenon and there is no cause for concern.
5. Even if a battery is used properly, it is natural for the battery's capacity to reduce with time, which results in reduced battery range. The batteries should be replaced when you find that battery range is about only half of the range of when the batteries were performing optimally. Please see your dealer about replacement batteries and the safe disposal of your old batteries. If you continue to use the batteries, it is likely you will see a rapid decline in performance.
6. The battery range is reduced when driving frequently up gradients or on rough terrain, as this causes greater power consumption.

- **Speed Dial**

- The speed dial determines the maximum speed of the scooter. Turn the dial clockwise to increase the maximum speed, or turn anticlockwise to decrease the maximum speed.

- **Indicator switch**

- This switch flashes the right hand side or left hand side indicators intermittently.
- To use the indicators, push the switch in the required direction of travel (i.e. left or right) and release the switch. To switch the indicators off, push the switch in and release.

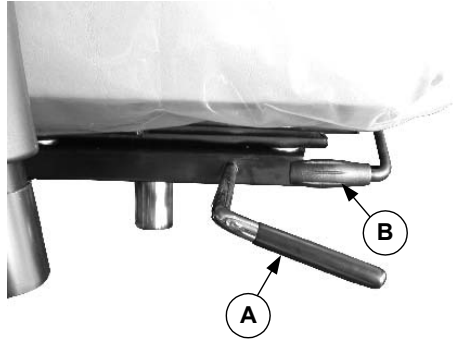
- **Hazard Warning Light Switch**

- Press and release the switch to operate the hazard warning lights. Press the switch again to stop the hazard warning lights flashing.

- **Horn Button**

- Press the Horn button to sound the horn. Release the button to stop the horn from sounding.

- **Seat**



- The seat can rotate 360° and locks in 45° settings. To rotate, lift up the lever (A) located underneath the right hand side of the seat and swivel seat. Release the lever and carry on swivelling the seat until it locks in position.

- You can adjust the amount of legroom on the scooter by sliding the seat back and forth. To slide the seat, lift up the seat sliding handle (B). Then adjust the seat to correct position, release the handle and continue sliding the seat until it locks in position.
- To alter the backrest angle, pull up on the seat recline lever, then adjust the backrest to the required position and release the lever. Please note if nobody is using the backrest when the lever is operated, it will automatically spring the backrest forward to fold the seat.

- **Armrest Adjustment**

- To adjust the armrest width, loosen the knobs at the back of the seat base. Slide the armrests in and out until the required position is reached. Retighten the knobs to secure.
- To adjust the angle of the armrest, flip up the armrest pad and adjust the jam nut located underneath the armrests toward the back of the seat.

- **Braking**

- Electromagnetic (EM) brake. This is the primary brake. Release the wigwag paddle completely and the EM brake will be activated automatically and will bring the scooter to a halt.
- Manual brake. This is a secondary brake in addition to the EM brake. Squeeze the brake lever to apply the brake and then release the lever. The manual brake tightness can be adjusted by the brake cable adjuster near the left hand side wheel rear wheel.

- **Freewheel Mode**

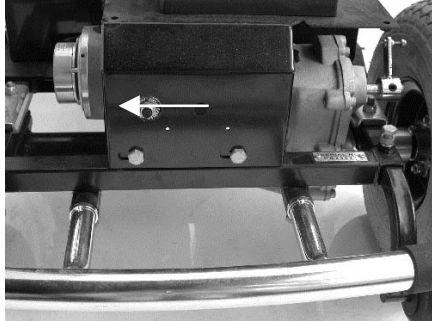


- To engage the motor: Push in the freewheel lever (arrowed in photo) completely. The scooter can be driven by the motor.
- To freewheel: Pull out the freewheel lever completely. The scooter can now be pushed manually. Note the EM brake and motor are now disengaged.

- **Tiller Adjustment**

- The tiller can be adjusted into several positions.
 1. Push (or pull) the lever on the scooter tiller to adjust the tiller to the position you require.
 2. Release the lever to lock the tiller

- **Main Circuit Breaker (Reset button)**



- If the scooter is overloaded it will result in the circuit breaker tripping to protect the scooter from damage. This may be the result of low battery power, excessive load being carried and / or the scooter travelling up an incline. If this occurs, push the button shown in to reset the scooter.

4.3 Driving on the Road

- **Starting and Driving**

1. Ensure the seat is installed correctly and in the forwards position.
2. Ensure the tiller and seat are adjusted for a comfortable driving position.
3. Fold down the armrests so you can place your arms on them.
4. Switch the ignition on. If necessary, switch on the headlights.
5. Check the battery indicator to see if there is enough power for your trip. If you have any doubt about the remaining power, please recharge the batteries before departure.
6. Set the speed dial to a setting you are safe and comfortable with.
7. Check the wigwag paddle works correctly.
8. Check the electromagnetic brake works correctly.
9. Ensure it is safe around you before you drive on the street or road. Engage the indoor switch if you are driving on the pavement or indoors.



Attention

1. Do not push both sides of the wigwag paddle simultaneously. This may leave you unable to control your scooter, and could cause damage or injury.
2. Do not switch the ignition off while driving as this will lead to an emergency stop and possible risk of damage or injury.
3. Do not set to the highest speed setting whilst driving indoors.
4. Do not adjust the speed dial whilst driving. A sudden change in speed may cause danger to yourself and others, and may cause damage to your scooter.
5. Do not place magnetic devices near the scooters electrical parts as this could affect the safe operation of the scooter.
6. Be careful while driving in heavy traffic or in crowded areas.
7. Whilst reversing the vehicle, beware of people or objects behind you. When reversing, the scooter will sound an audible warning alarm.

5. Battery Charging and Care

5.1 Charging the Battery

Follow the procedure below:

1. Switch the ignition off.
2. Connect the charger power cord in to the main socket.
3. Open the charging socket cap on the scooter tiller. Then connect the charger round plug in to the scooter charging socket located on the left hand side of the tiller.
4. Switch the charger on at the mains.
5. Both the charger's red and orange LEDs will be lit when charging commences. The charging duration will be around 14 hours. To ensure optimum performance an 18 hour charge is recommended. We do not recommend the scooter be charged for longer than 24 hours.
6. Both the charger's LEDs will be lit during the charging process. The orange LED will turn green when bulk charging is complete after which the charger trickle charges the batteries. Trickle charging optimises the batteries and is necessary to maintain or improve battery performance.
7. Switch off the charger, disconnect the power cord and round plug from the charger socket on the scooter.



Attention

- If only a red LED is lit on the charger, then the scooter is not connected.
- If no LEDs are lit on the charger, then the charger is not connected to the power or it is defective.
- Please only use a charger supplied by Medicare Technology. You may damage the battery and / or scooter if you use an incorrect charger.
- Always charge the battery to its full capacity every time.
- Do not charge in temperatures below -10°C or above $+50^{\circ}\text{C}$ as the charger may not work efficiently and the batteries may become damaged.



Warning

- Keep away from flammable objects while charging as it may lead to fire or battery explosion.
- Do not smoke while charging as the battery may release hydrogen gas. Always charge the batteries in a well ventilated environment which is not in direct sunlight. Do not charge in surroundings where it is humid, wet or damp.
- Do not handle the charger, scooter or mains socket with wet hands, as this could lead to electric shock.

5.2 Battery

- Do not expose the battery to temperatures below -10°C or above 50°C . Such temperatures may cause the battery to freeze or overheat. This will damage the batteries and shorten their life.
- The batteries are sealed and there is no need to refill them with water.

- The batteries need charging on a regular bases. Even if the scooter is stood idle, the batteries should be charged at least once a week.
- The batteries carry a one-year manufacturers warranty. This warranty only covers manufacturing defects, and not faults arising from failure to adhere to the operating and charging instructions.



Suggestion – How to Maximise your Batteries Efficiency and Service Life

1. Fully recharge your new battery before its first use.
2. Make sure you charge the battery fully every time. The battery longevity will be shortened if it is repeatedly used without being fully charged. Always wait until the orange LED on the charger turns green before switching off or disconnecting the charger.
3. When fully charged, the battery charger will still trickle charge the battery to ensure optimum range.
4. Keep your batteries fully charged whenever possible.
5. If the scooter is stood idle, it should be charged at least every week to keep the battery in a fully usable condition.
6. The ambient temperature will affect charging time. Charging time will be longer in winter when it is cold.
7. After charging do not leave the charger socket plugged in to the scooter as this will cause a power drain on the scooter and temporarily reduce its range.
8. It is recommended that the scooter is given an 18 hour charge at least once a week to allow the charger to optimise the batteries.
9. Should you experience range or power problems, charge the scooter for 24 hours and then retry the scooter.

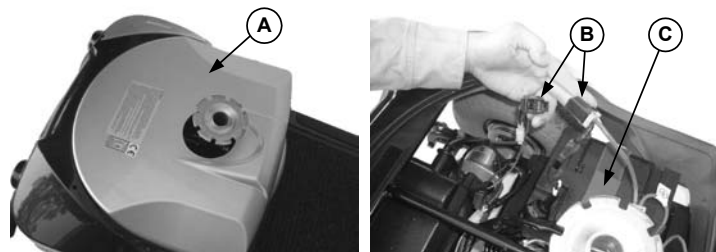
Cleaning the Battery

If the batteries are contaminated by water, battery acid, dust or other substances, they will discharge quickly. The batteries supplied with the scooter are sealed and as such are maintenance free with no risk of battery leakage. Please follow the steps below to clean the battery:

1. Remove the batteries following the procedure below.
2. Clean the battery with a clean cloth. If the terminal is covered by white powder, wipe it cleaning using warm water.

Removing the Battery

1. Switch off the scooter at the ignition and remove the seat.
2. Lift up the battery cover (A)
3. Disconnect the black battery connectors (B) and red battery connectors.
4. Remove the velcro straps (C) from the battery and pull the battery out.



6. Inspection and Maintenance

6.1 Inspection

- Clean the scooter with a damp cloth and dust down approximately once a week to preserve the appearance of the scooter.
- Adjust the tiller height and return to the original position and swivel the seat once a week to prevent moving parts from seizing up.
- Check for signs of wear and tear on the tyres and the upholstery on a regular basis.
- For optimum performance and to increase the lifespan of your scooter, it is recommended that you have your scooter serviced once a year.



Attention

Switch the scooter off at the ignition and remove any charger cords prior to conducting any maintenance.

6.2 Regular Checking Record

To ensure your scooter is correctly serviced, take it to your dealer for regular maintenance checks. The scooter should be checked for an initial inspection after 1 month. Your dealer may charge a fee for this service.

YEAR	1	2	3	4	5	YEAR	1	2	3	4	5
Service Dates						Service Dates					
Controller						Upholstery					
On/off switch						Seat					
Control Lever						Back					
Braking						Armrests					
Recharge point						Electrics					
Batteries						Connections condition					
Levels						Lights					
Connections						Test run					
Discharge test						Forwards					
Wheels and Tyres						Reverse					
Wear						Emergency stop					
Pressure						Left turn					
Bearings						Right turn					
Wheel nuts						Slope test					
Motors						Over obstacles					
Wiring						List Items repaired					
Noise											
Connections											
Brake											
Brushes											
Chassis											
Condition											
Steering											

6.3 Fuses

Battery charger fuse. If the battery charger is switched on and no LEDs are lit, check the fuse.

6.4 Tyres

The condition of the tyres depends on how you drive and use the scooter. Please check the tyre tread depth regularly. Replace the tyres when there is less than 0.5mm tread on the tyres.



Attention

- When tread depth is less than 0.5mm it can easily lead to the vehicle slipping and braking distances will become longer. Therefore, replace any tyres with low tread depth as soon as possible.
- The tyre pressure should be kept at around 26psi (1.8bar) for the best ride and handling.



Suggestion

- Ensure water is not directly splashed on to your scooter as this can cause damage to the electrics. Do not use petrol, solvents or vaporizing solution as these may deform or damage the shrouds.
- Do not use wax.

6.5 Storage

Ensure the vehicle is stored with the seat set in the 'forward' position and switched off at the ignition. Store the scooter in an environment away from direct sunlight or damp. When storing for long periods of time, charge the battery fully and then disconnect the battery terminal.

6.6 Moving About

- Switch the scooter off at the ignition before moving.
- Lift the scooter by the chassis (not the bumpers). Lifting the scooter by the bumpers could cause damage or injury.
- For your safety, always ask for help if required. You will need 2 or 3 people when moving or lifting the vehicle. To reduce the weight of the vehicle, remove the seat and batteries if required.

6.7 Disassembling the Scooter

The scooter can be disassembled for ease of transportation or storage. For information on how to do this, please contact your Medicare Technology dealer.

7. Troubleshooting and Specification

7.1 Troubleshooting:

<i>Symptom</i>	<i>Remedy</i>
The scooter will not switch on	<ul style="list-style-type: none">• Try recharging the battery• Check the circuit breaker and fuse in the scooter
The scooter switches on, but will not move	<ul style="list-style-type: none">• Ensure there is enough power in the batteries. If not, recharge the batteries.• Ensure the freewheel lever is engaged in the 'Drive' position.
The scooter appears slow	<ul style="list-style-type: none">• Check the battery power level and recharge• Check the speed dial is not set to slow, or indoor setting engaged.
The seat turns when in operation	<ul style="list-style-type: none">• Slowly rotate the seat until it drops in to place and is secure.
Horn sounds involuntarily	<ul style="list-style-type: none">• Ensure that the wigwag paddle is released.• Switch the scooter off and on• Recharge the batteries• If the problem persists, please contact you Medicare Technology dealer

7.2 Specification:

Model	Mercury Regatta (MREG)
Dimensions (L x W x H)	146cm x 67cm x 114cm 57½” x 26½” x 45”
Weight (total)	117kg / 257lb
“ (w/o battery)	89kg / 195lb
Drive system	Direct drive to rear wheels
Braking system	Electromagnetic - primary Drum cable brake - secondary
Control system	Dynamics Rhino 110A

Model	Mercury Regatta (MREG)
Motor	24V 500W DC / 0.67hp
Batteries (pair)	12V 44ah
Wheels	33cm x 10cm / 13” x 4”
Top speed*	8mph / 12.8kph*
Climbing angle*	12° / 1 in 5*
Ground clearance	16cm / 6¼”
Cruising range*	25 miles / 40kpm*
Weight capacity	160kg / 25 stone

Model	Mercury Regatta 6
Dimensions (L x W x H)	136 x 64 x 120cm 53½” x 25” x 47¼”
Weight (total)	96kg / 211lb
“ (w/o battery)	74kg / 163lb
Drive system	Direct drive to rear wheels
Braking system	Electromagnetic
Control system	CTE 70A

Model	Mercury Regatta 6
Motor	24V 450W DC / 0.6hp
Batteries (pair)	12V 34ah
Wheels	29 x 10cm / 11½” x 4”
Top speed*	6mph / 10kph
Climbing angle*	8° / 1 in 7*
Ground clearance	7cm / 3”
Cruising range*	15 miles / 25km*
Weight capacity	135kg / 21 stone

* Note:

- Maximum driving distance (cruising range) is based on an ambient temperature of 20°C, a 100kg driver and a battery which has reached optimum capacity, a constant driving speed of 6mph / 9kph with 70% battery power discharged.
- The top speed, climbing angle and cruising range may be affected by a number of factors including (but not exclusively) user mass, gradient, speed, temperature, and terrain.
- When a battery is new off-the-shelf it is approximately two-thirds of its optimum capabilities. During the first 3 – 6 months of use the batteries will improve to a peak point at which they will remain for 50% - 60% of their expected lifespan (if maintained and charged correctly, as described in this manual). At this point the batteries will begin to deteriorate until they will require replacing. It is for this reason that the batteries must be correctly charged at all times else the peak point reached may not be the batteries’ optimum capacity and their lifespan may be dramatically reduced.
- The manufacturer reserves the right to modify the specification if necessary. The final specification is subject to the individual scooter your purchase from your dealer.

8. Warranty

8.1 VIN (Vehicle Identification Number)

To ensure the correct after sales service and warranty service support, please write down the vehicle identification number on the plate attached the rear left-hand side of the scooter frame (by the anti-tip wheel). Also note down the details of the Medicare Technology dealer who sold the scooter.

Model	VIN #.	Motor serial #:	Key #:
-------	-------	--------	-------	-----------------	-------	--------	-------

Medicare Technology Authorized Service Agent Details:	
Name	
Address	
Tel	
Postcode	

8.2 Warranty Conditions

There is a comprehensive twelve-month warranty from the date on which your new scooter is delivered. The warranty covers the scooter for repairs or replacement during this period. For more detail, please see the Warranty Conditions below.

Warranty Conditions:

1. Any work or replacement part installation must be carried out by an authorized Medicare Technology dealer / service agent.
2. To apply the warranty should your scooter require attention please contact the designated service agent listed above.
3. Should any part of the scooter require repair or full or part replacement, as a result of a manufacturing or material defect within twelve months of receiving the scooter, replacement parts will be supplied free of charge.

Note: This guarantee is not transferable

4. Any repaired or replaced parts will be covered by this warranty for the balance of the warranty period on the scooter.
5. Parts replaced after the original warranty has expired will be covered by a three months warranty.
6. Consumable items supplied will not generally be covered during the normal warranty period unless such items require repair or replacement clearly as a direct result of a manufacturing or material defect.

Such items include (among others): upholstery, tyres and batteries.

7. The above warranty conditions apply to brand new scooter purchased at the full retail price. Scooters supplied as secondhand by Medicare Technology normally carry a six-month warranty. If you are unsure whether your scooter is covered, check with the service agent.
8. Under normal circumstances, no responsibility will be accepted where the scooter has failed as a direct result of:
 - a) The scooter part not having been maintained in accordance with the manufacturer's recommendations.
 - b) Failure to use the manufacturer's specified parts

- c) The scooter or part having been damaged due to neglect, accident or improper use
- d) The scooter or part having been altered from the manufacturer's specifications or repairs having been attempted before the service agent is notified

Please note your local service agent's contact details in the box above. In the event of your scooter requiring attention, contact them and give all relevant details so they can act quickly.

The manufacturer reserves the right to alter without notices any weights, measurements or other technical data shown in this manual. All figures, measurements and capacities shown in this manual are approximate and do not constitute specifications.

Notes and Additions