
Spare Part List - INVACARE® Auriga



Table of Contents - INVACARE Auriga

.....	1
Warnings	3
Auriga	4
Dataplate	4
Chassis.....	5
Front Frame (3-Wheel).....	5
Front Frame (4-Wheel).....	6
Rear Frame	7
Shrouds	8
Front Shroud (3-Wheel)	8
Front Shroud (4-Wheel)	9
Rear Shroud 3/4 Wheel.....	10
Driving Unit.....	11
Transaxle	11
Wheel suspension	12
Front Wheel (3-Wheel).....	12
Front Wheel (4-Wheel).....	13
Rear Wheel (3-/4 Wheel)	14
Seat system.....	15
Seat system	15
Electronic.....	16
Electronic	16
Steering system.....	17
Tiller Linking Mechanism.....	17
Steering system	18
Options	20
Cane Holder / Touch-up paint	20
Rear marking sign	21

Warnings

△ **Caution: Physical injury and damage to property! Loss of CE conformity and warranty due to modifications and mounting of privately purchased articles without authority!**

Alterations to the vehicle that are not approved by Invacare® and/or do not belong to the standard or optional equipment can

- downgrade vehicle handling to such an extent that the vehicle is no longer controllable,
- restrict functionality to such an extent that this may cause failure of electric/electronic components or become a fire hazard.

Modifications that have not been approved and the mounting of privately purchased articles will lead to the loss of CE conformity, Invacare® will not be liable in the event of physical injury or damage to property.

Expiration of vehicle warranty.

Maintain full efficiency and the safe use of your vehicle, avoid physical injury, damage to property or the loss of CE conformity and warranty by:

- only using original Invacare® spare parts,
- only using installation material of the same quality as the original material,
- never opening electric and electronic components (not even after warranty has expired!),
- never modifying electric, electronic or mechanical components
- never mounting parts obtained from external manufacturers without written approval from Invacare®.

✓ **Information: Definitions.**

What parts are looked upon by Invacare® as being from external manufacturers and as electric/electronic components?

Among other things, parts from external manufacturers that are subject to approval are:

- All electric and electronic components that are connected to the power supply system of the vehicle, such as seat heating, remotes, signal horns, radios.
- All mechanical mounted parts that change vehicle handling, such as trailed units and seat systems.
- In general mounted parts are not permitted that do not conform with the valid road traffic regulations and may thus also not be mounted on Invacare® vehicles.

Electric and electronic components must not be opened, e.g.:

- Electronics
- Drive motors
- Remotes
- Actuators for electric adjustments, e.g. adjustment of the back, legrests and seat angle.

△ **Caution: Risk of injury when assembling and dismantling the vehicle!**

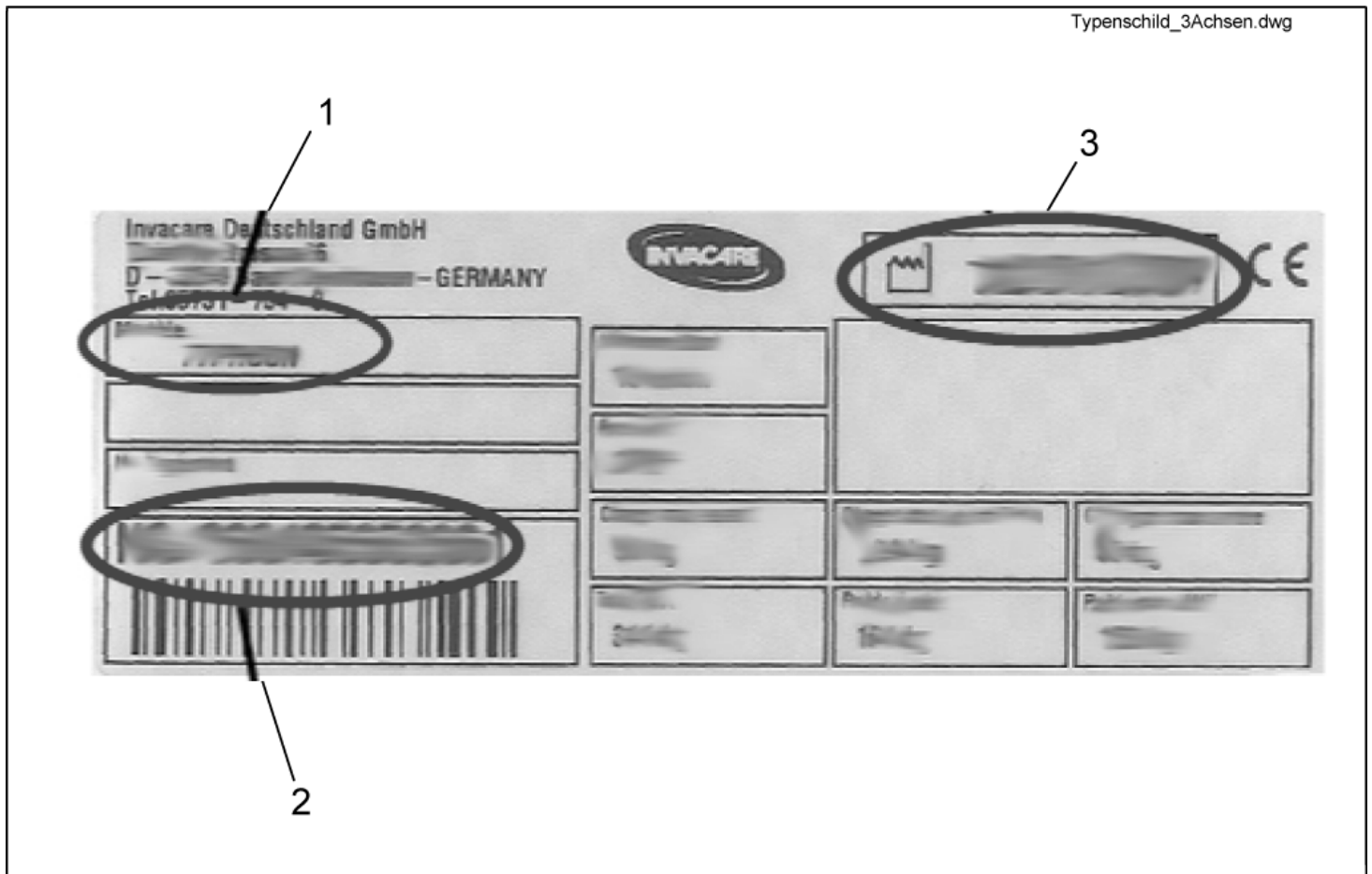
Before commencing any work, ensure that the vehicle is secure. Please read and follow the valid industrial safety regulations. Carry out maintenance and service work according to the service instructions (available separately) in order to avoid physical injury and damage to property. A tool list, illustrated step-by-step instructions and details of tightening torques, will assist you and show how the vehicle remains, or will remain safe and fully serviceable.

✓ **Information: Invacare® addresses and service numbers.**

Addresses and service numbers of Invacare® branches can be found in the operating instructions, in the service instructions and on the Internet.

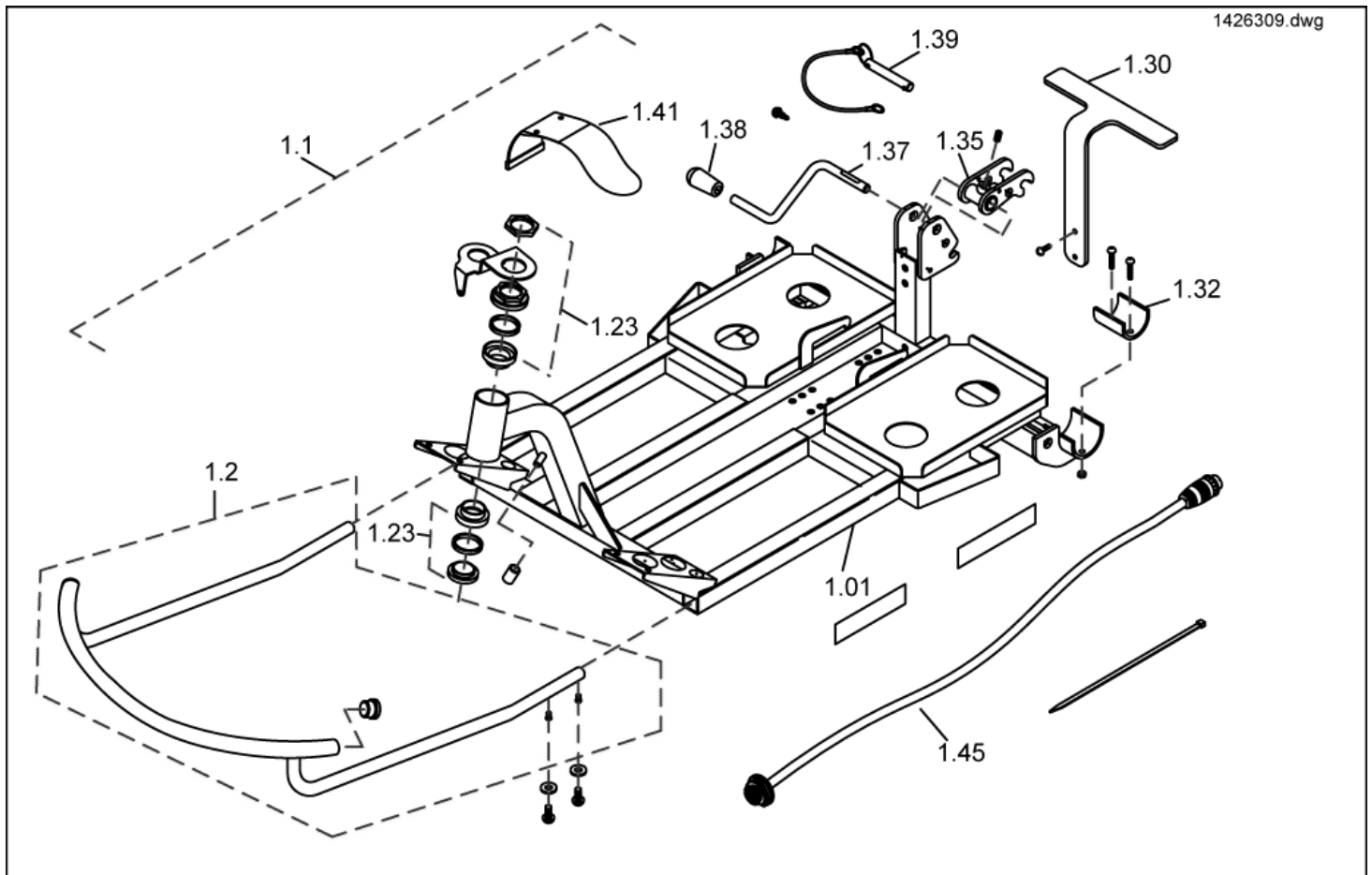
Dataplate

- ✓ You are often only able to find the suitable spare part by using the details on the type plate. The type plate is to be found directly on the chassis.
- Please quote the serial number, model and year for every order. This helps to prevent misunderstandings.**



item	description
1	MODEL DESIGNATION
2	SERIAL NUMBER
3	PRODUCTION DATE

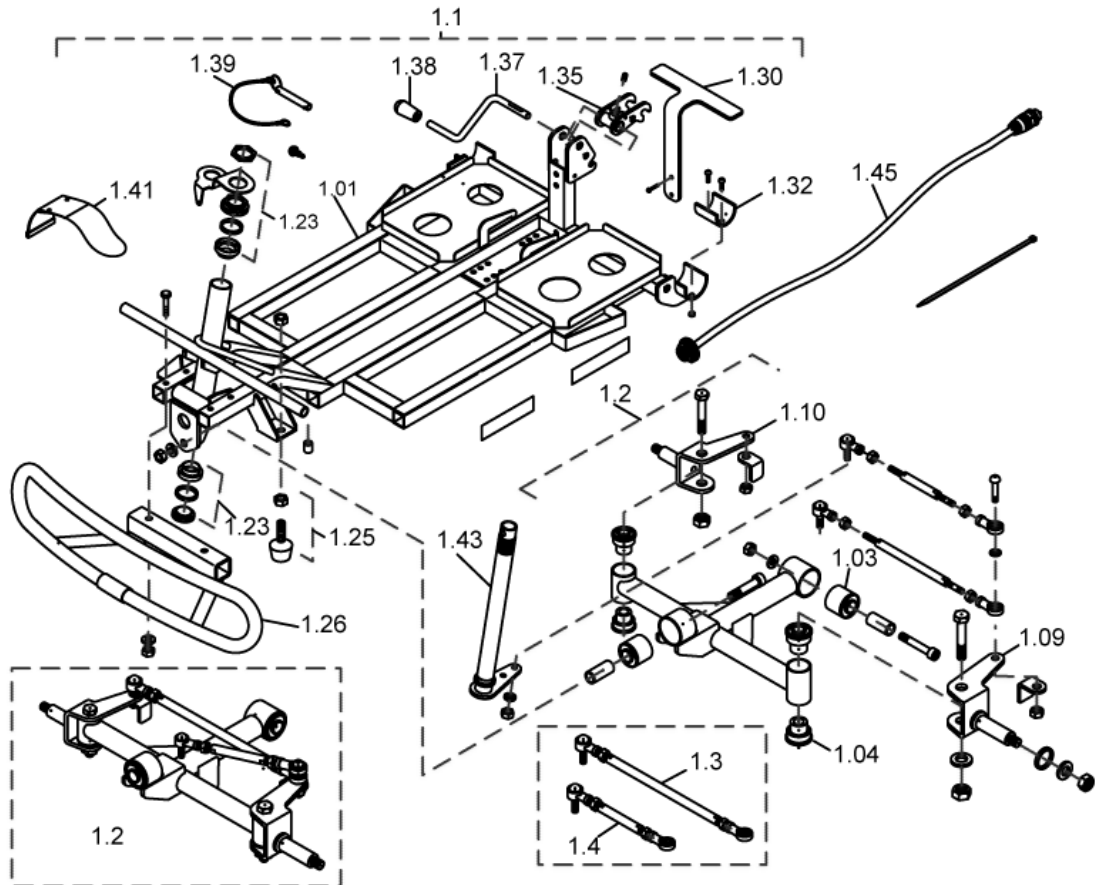
Chassis - Front Frame (3-Wheel)



item	ordercode	description	quantity	note
1.1	1426309	FRONT FRAME ASS'Y., (3 WHEELER / SQUARE STEERING)	1	
1.01	1426310	FRONT FRAME, (3 WHEELER / SQUARE STEERING)	1	
1.2	1421013	FRONT BUMPER ASS'Y.,3W	1	
1.23	1421014	STEERING BEARING ASS'Y	1	
1.30	1421015	SUPPORTING BRACKET, REAR SHROUD	1	
1.32	1421016	SPACER, FRONT FRAME AND REAR FRAME ASSEMBLY	2	
1.35	1421017	ASSEMBLY HOOK, FRAME, 3W/4W	1	
1.37	1421019	ASSEMBLY LEVER, FRAME	1	
1.38	1421020	BLACK TIP	1	
1.39	1421024	PIN WITH TIE, RD. 8x50L	1	
1.41	1421027	BATTERY STRAP, 50x660L	2	
1.45	1421029	MAIN LOOM, FRAME, 3W/4W	1	-->04/2002
1.45	1426311	MAIN LOOM, FRAME, 3W/4W	1	05/2002-->

Chassis - Front Frame (4-Wheel)

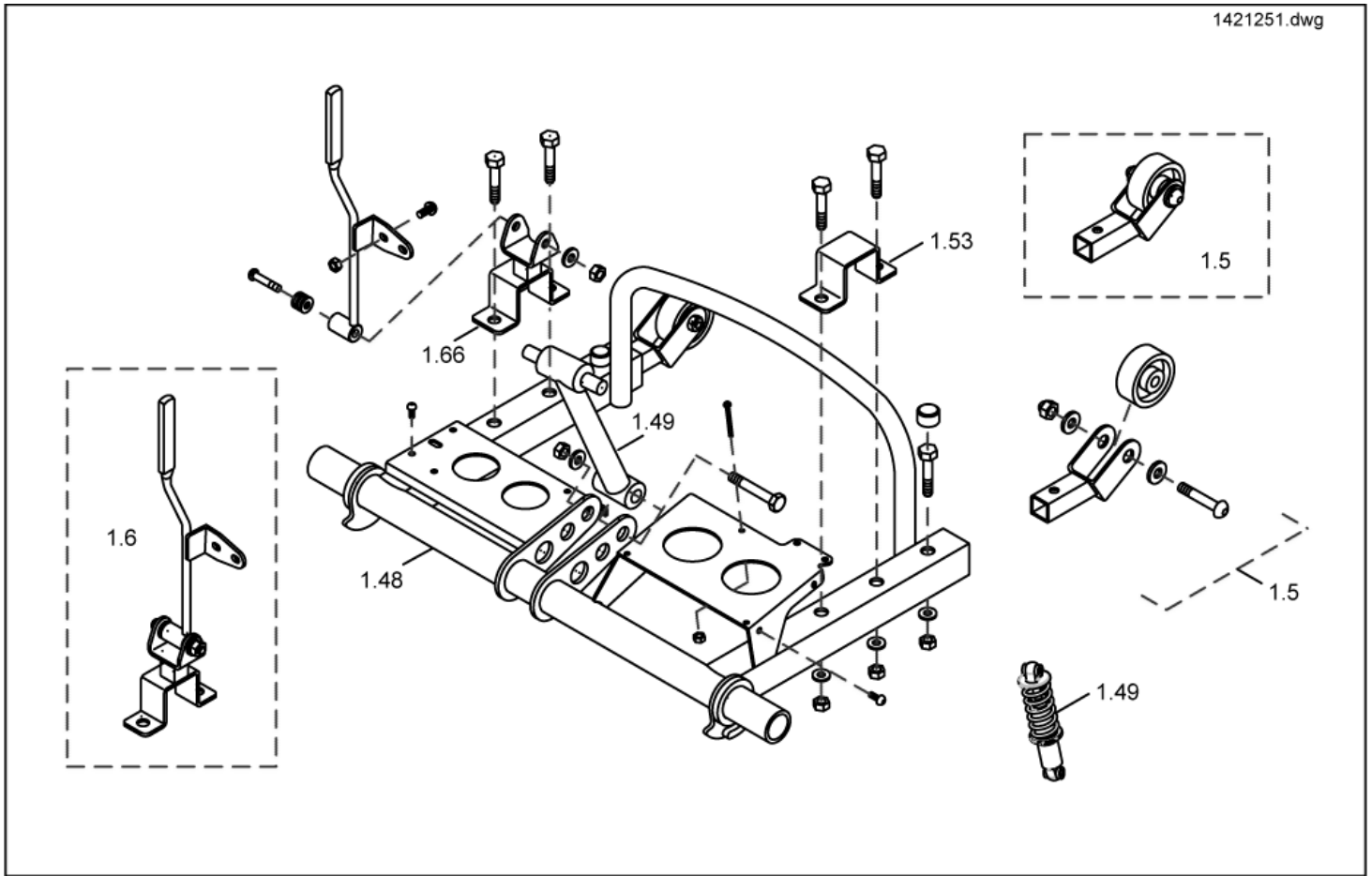
1426313.dwg



item	ordercode	description	quantity	note
1.1	1426313	FRONT FRAME COMPLETE	1	
1.01	1421030	FRONT FRAME ONLY, 4W	1	
1.2	1421032	FRONT HANGING SYSTEM, 4W	1	
1.03	1421033	DAMPER	2	
1.04	1421034	BALL BEARING, STEM	4	
1.09	1421035	NUCKLE L	1	
1.10	1421036	NUCKLE R	1	
1.3	1421037	CONNECTING ROD SET, LONG RD. 10 X 350 L	1	
1.4	1421038	CONNECTING ROD SET, RD. 10 X 150 L, SHORT	1	
1.23	1421014	STEERING BEARING ASS'Y	1	
1.25	1421040	BUFFER, RUBBER BLOCK, M10 X 30 L	2	
1.26	1421241	FRONT BUMPER 4-WHEEL	1	
1.30	1421015	SUPPORTING BRACKET, REAR SHROUD	1	
1.32	1421016	SPACER, FRONT FRAME AND REAR FRAME ASSEMBLY	2	
1.35	1421017	ASSEMBLY HOOK, FRAME, 3W/4W	1	
1.37	1421019	ASSEMBLY LEVER, FRAME	1	
1.38	1421020	BLACK TIP	1	
1.39	1421024	PIN WITH TIE, RD. 8x50L	1	
1.41	1421027	BATTERY STRAP, 50x660L	2	
1.43	1426312	STEERING SHAFT ASS'Y. (SQUARE STEERING)	1	
1.45	1421029	MAIN LOOM, FRAME, 3W/4W	1	-->04/2002
1.45	1426311	MAIN LOOM, FRAME, 3W/4W	1	05/2002-->

Chassis - Rear Frame

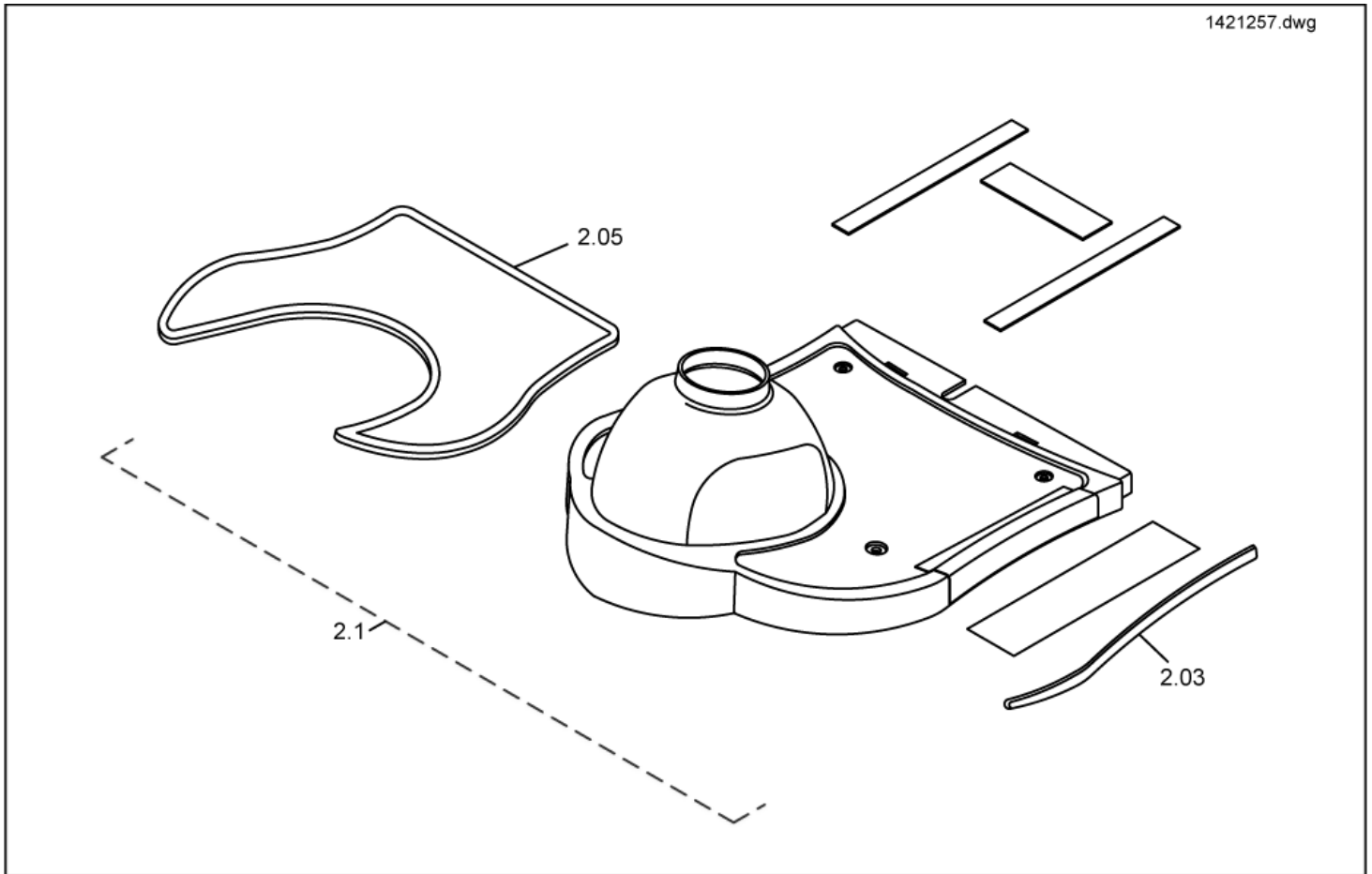
1421251.dwg



item	ordercode	description	quantity
1.48	1421251	REAR FRAME ONLY, 3W/4W	1
1.49	1426314	SHOCK ABSORBER	1
1.53	1421253	CLAMP LE	1
1.5	1421254	ANTI-TIPPER WHEEL ASS'Y	2
1.6	1421255	RELEASE LEVER ASS'Y., TRANSAXLE, 3W/4W	1
1.66	1421256	MOUNTING BASE	1

Front Shroud (3-Wheel)

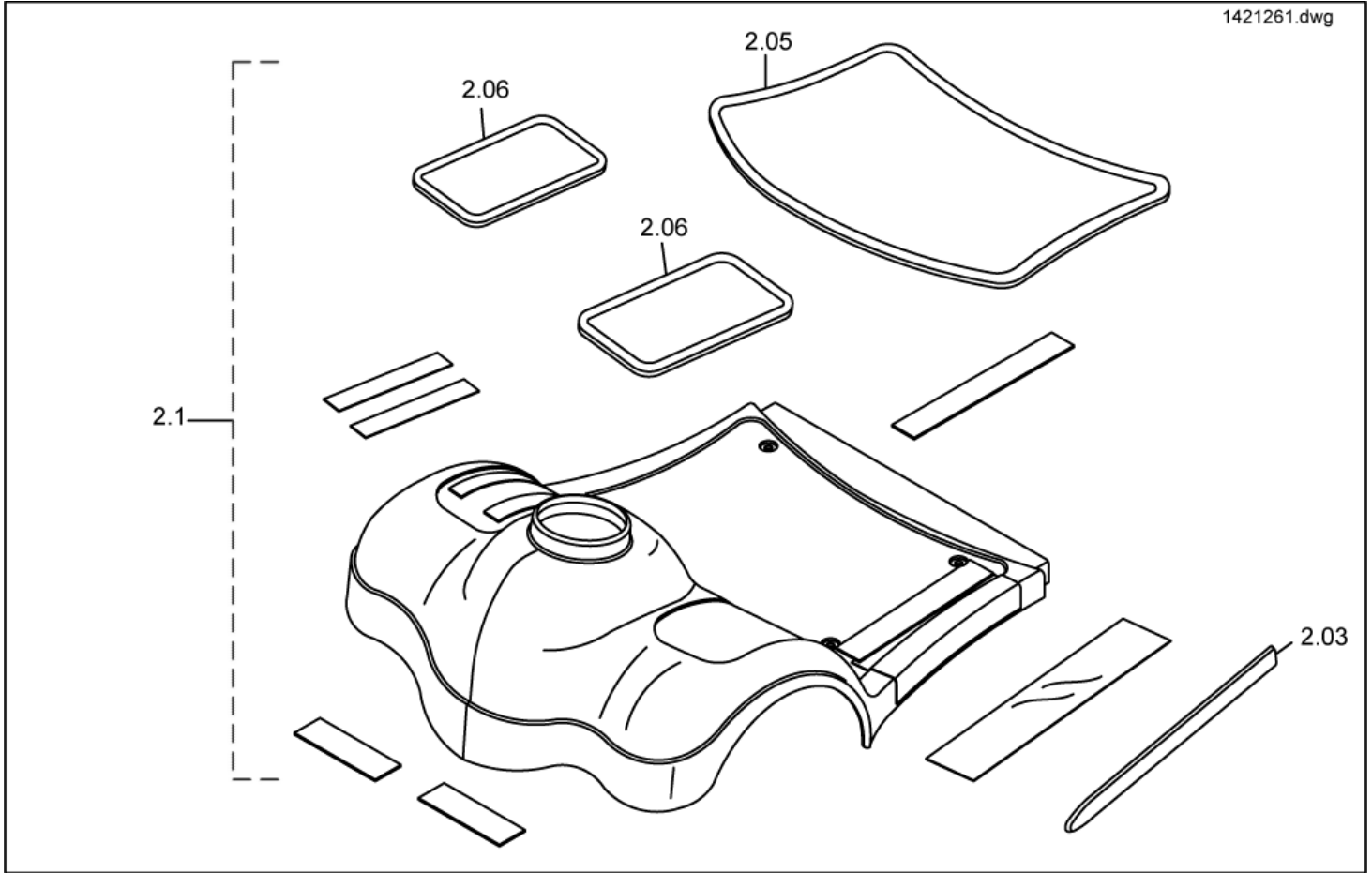
1421257.dwg



item	ordercode	description	quantity	note
2.1	1421257	FRONT SHROUD ASS'Y., CANDY APPLE RED, W. RUBBERMAT 3W	1	
2.1	1421258	FRONT SHROUD ASS'Y., BLUE, RUBBERMAT 3W	1	
2.03	1421259	SIDE PROTECTOR	2	
2.05	1421260	CARPET, GREY, 3W	1	Europe
2.05	1433489	RUBBERMAT BIG (3W)	1	UK

Front Shroud (4-Wheel)

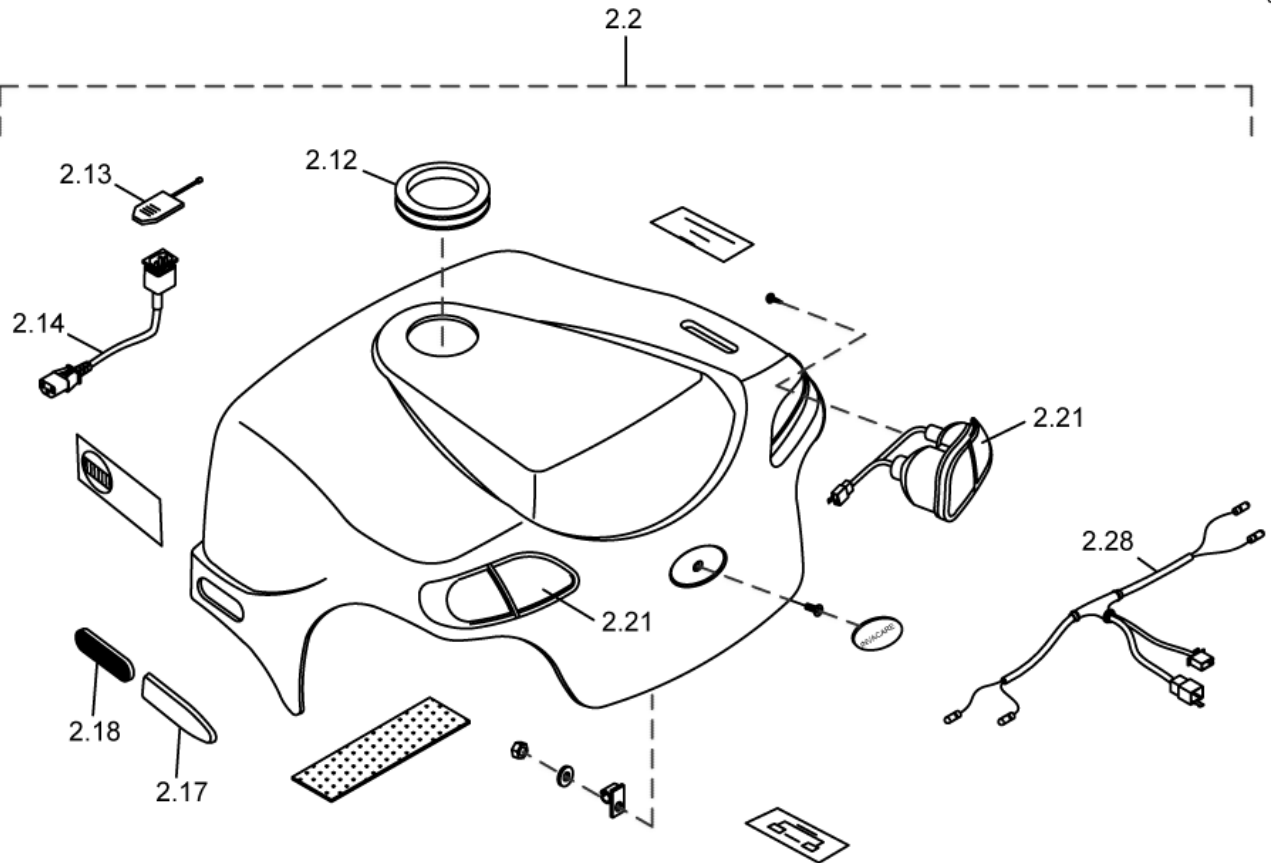
1421261.dwg



item	ordercode	description	quantity	note
2.1	1421261	FRONT SHROUD ASS'Y., RUBY RED, 4W	1	
2.1	1421262	FRONT SHROUD ASS'Y., SAPPHIRE BLUE, 4W	1	
2.03	1421263	SIDE PROTECTOR	2	
2.05	1426319	MAIN RUBBER MAT, GREY, 4W (all 10k)	1	Europe
2.05	1421264	MAIN CARPET, GREY, 4W	1	UK
2.06	1426320	SMALL RUBBER MAT, GREY, 4W (all 10k)	2	Europe
2.06	1421265	SMALL CARPET, GREY, 4W	2	UK

Rear Shroud 3/4 Wheel

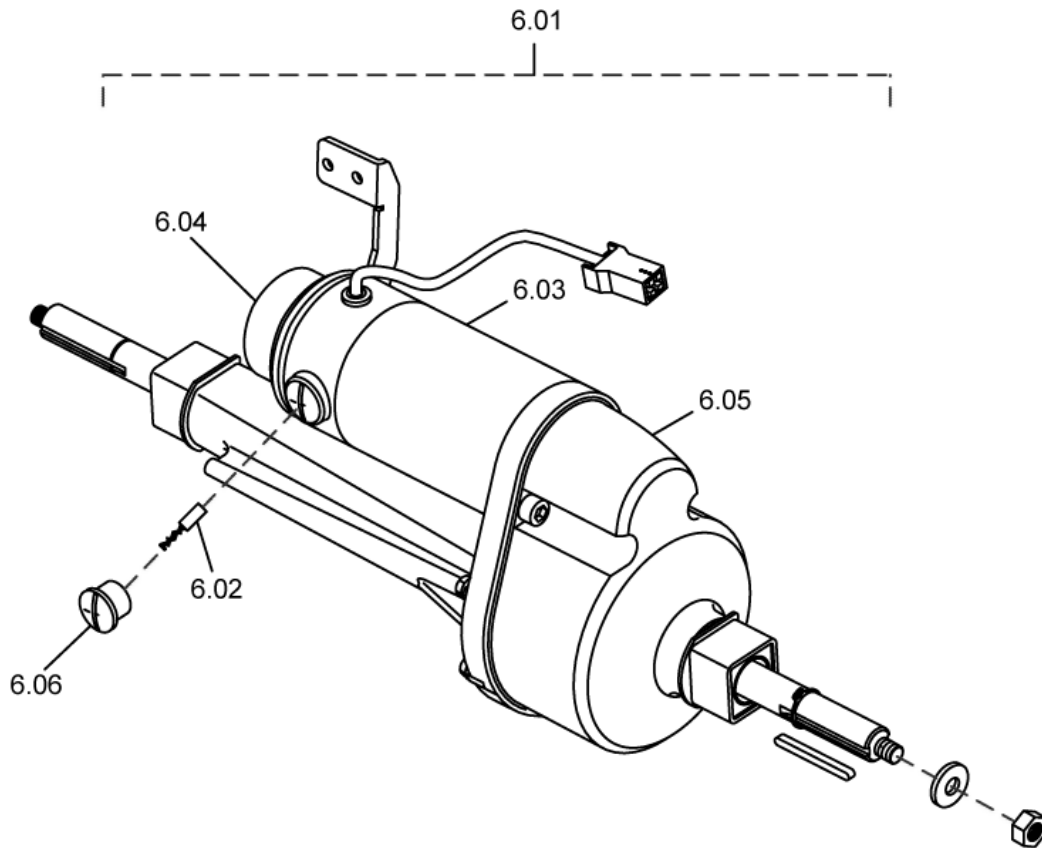
1421266.dwg



item	ordercode	description	quantity	note
2.2	1421266	REAR SHROUD ASS'Y., RUBY RED, 3W/4W	1	-->04/2002
2.2	1421267	REAR SHROUD ASS'Y., SAPPHIRE BLUE, 3W/4W	1	-->04/2002
2.2	1426321	REAR SHROUD ASS'Y.,CANDY APPLE RED, 3W/4W	1	05/2002-->
2.2	1426322	REAR SHROUD ASS'Y.,BLUE, 3W/4W	1	05/2002-->
2.12	1421268	RUBBER BOOT, SEAT POST	1	
2.13	1492003	COVERING FOR CHARGER SOCKET	1	
2.14	1421270	CHARGING CABLE	1	
2.17	1421271	SIDE RUBBER PAD, 25 X 125 L	2	
2.18	1421272	REFLECTOR, YELLOW	2	
2.18	1430301	REFLECTOR, YELLOW (FOR GERMANY ONLY)	2	
2.20	1421273	REAR LAMP	2	-->04/2002
2.20	1426323	REAR LAMP(L)	1	05/2002-->
2.21	1426324	REAR LAMP(R)	1	05/2002-->
-	1426347	BULB, 12V/15W	2	05/2002-->
-	1426346	BULB, 12V/5W, TURNING LIGHT	2	05/2002-->
-	1428315	BULB 12V/10W	2	05/2002-->
2.28	1421274	TAIL/TURNING LIGHT CONNECTING WIRE	1	-->04/2002
2.28	1486505	MAIN CABLE LOOM REAR SHROUD	1	05/2002-->

Driving Unit - Transaxle

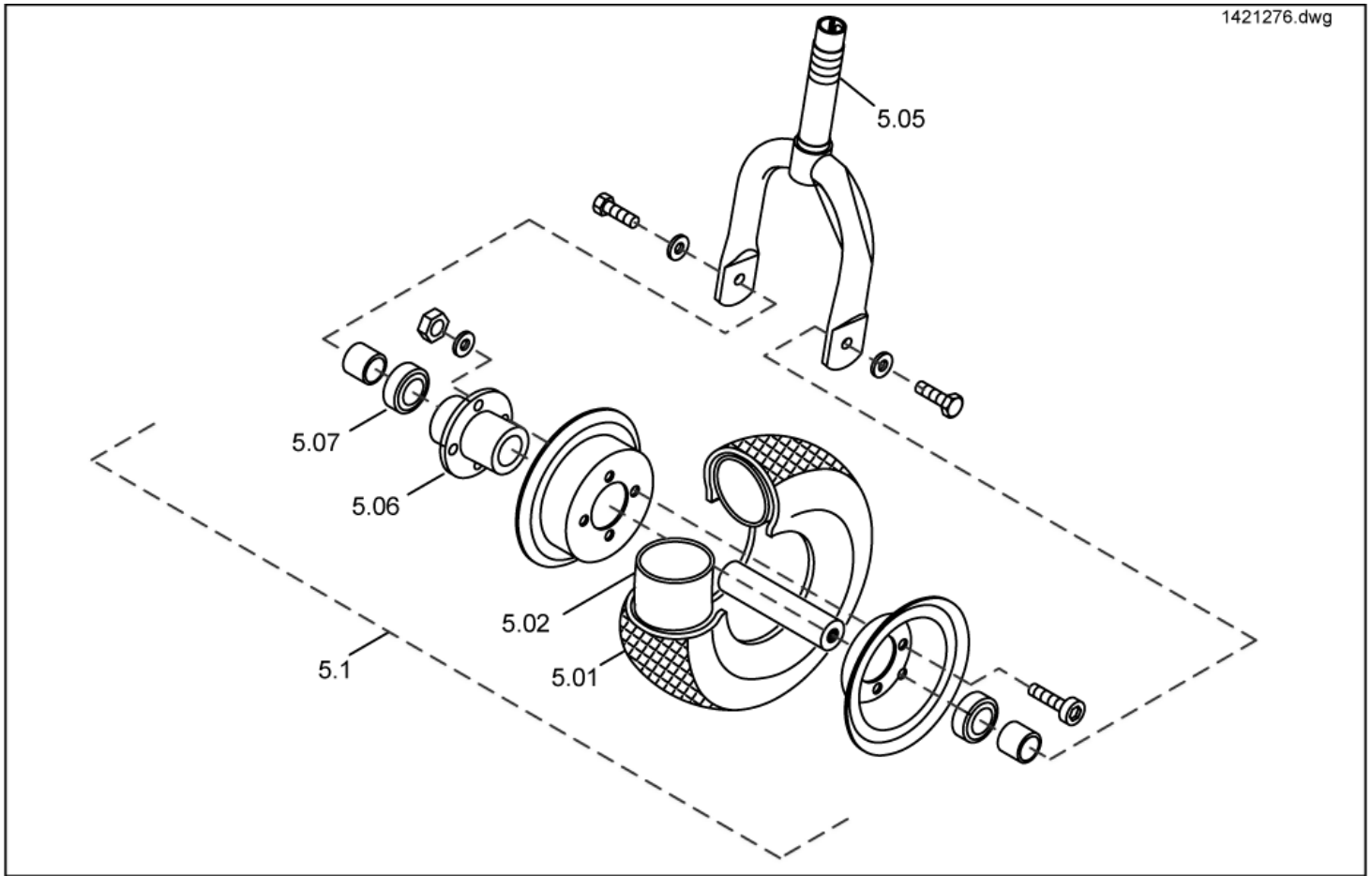
1416109.dwg



item	ordercode	description	quantity	note
6.01	1416109	Transaxle Ass'., M33d	1	
6.01	1423160	Transaxle Ass'y M33g (8 Km/H)	1	UK
6.01	1423702	Transaxle Ass'., M33h-2	1	
6.01	1430372	Transaxle Ass'y M33h (10 Km/H W. Handbrake)	1	
6.02	1421275	Carbon Brush (6 + 8km/H 10 X 6 X 15mm)	2	
6.02	1436341	Carbon Brush (10km/H 11 X 7 X 17mm)	2	
6.03	NA	Motor Assy 6 Km/H Incl. Magnetic Brake	1	
6.03	NA	Motor Assy 8 Km/H Incl. Magnetic Brake	1	UK
6.03	NA	Motor W. Magnetic Brake Cpl.	1	
6.04	1428083	Magnetic Brake	1	
6.05	NA	Gearbox (6, 8 And 10 Km/H Wo Handbrake)	1	
6.05	NA	Gearbox 10 Km/H (Handbrake Version)	1	
6.06	1488565	Cap for carbon brushes (10km/h 11x7x17mm)	2	
6.06	1488566	Cap for carbon brushes (6+8km/h 10x6x15mm)	2	

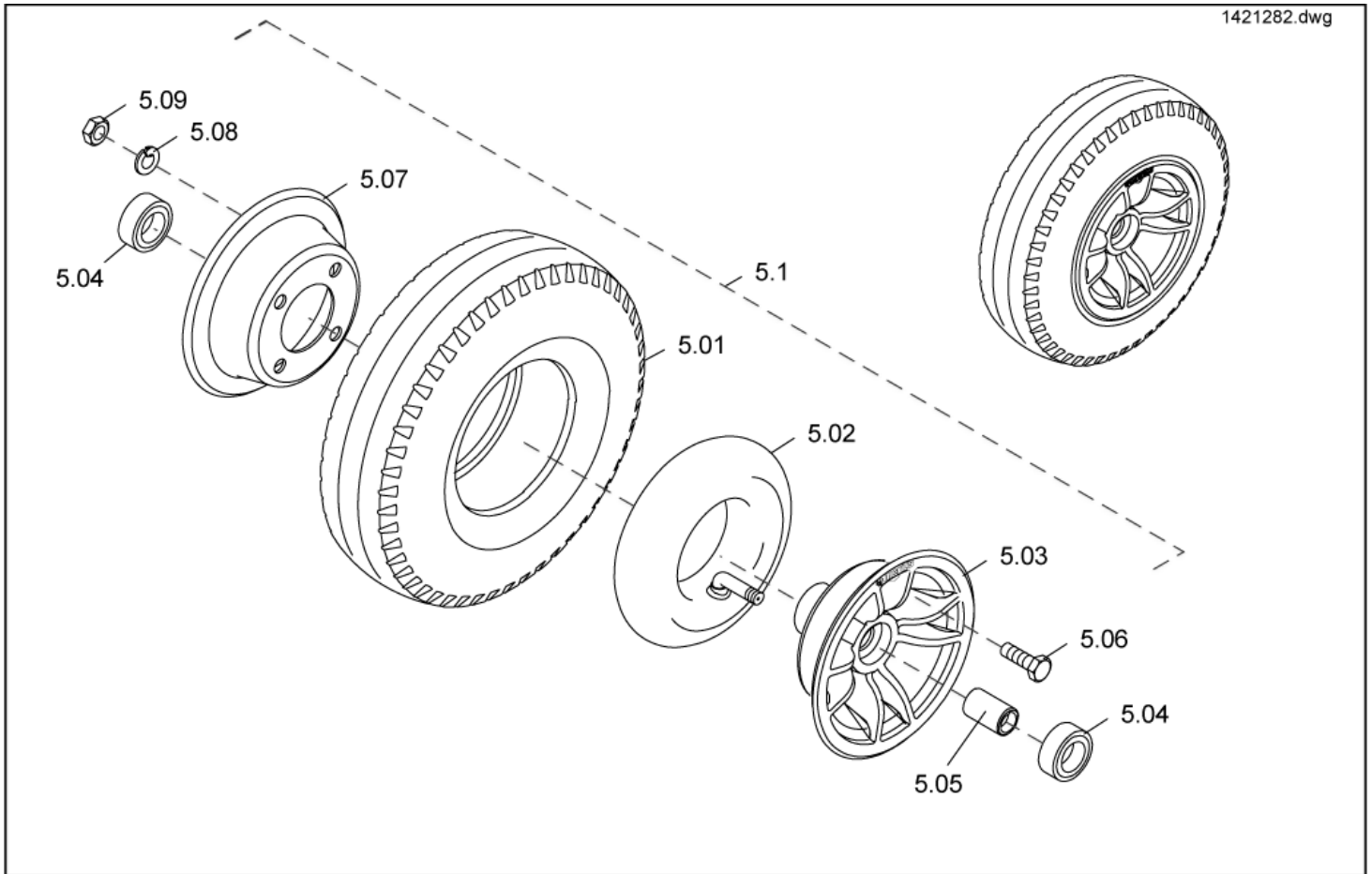
Front Wheel (3-Wheel)

1421276.dwg



item	ordercode	description	quantity
5.1	1421276	FRONT WHEEL ASS'Y., 3.00-4 (260 X 85)	1
5.01	1421277	TYRE, 3.00-4	1
5.02	1421278	INNER TUBE, 3.00-4	1
5.05	1421279	FORK, 10" WHEEL	1
5.06	1421280	HUB, FRONT WHEEL	1
5.07	1421281	BEARING, 6003ZZ	2

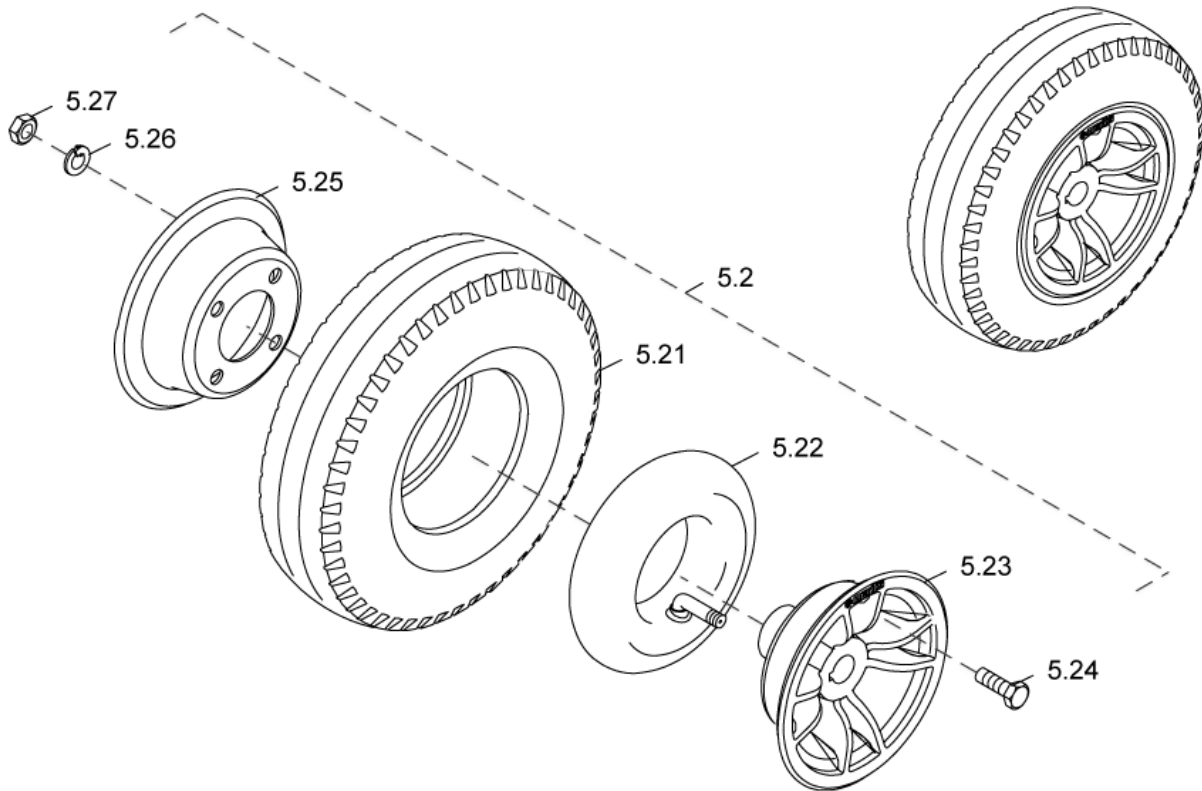
Front Wheel (4-Wheel)



item	ordercode	description	quantity
5.1	1421282	FRONT WHEEL ASS'Y., 3.00-4, W/INVACARE LOGO	2
5.01	1421277	TYRE, 3.00-4	1
5.02	1421283	INNER TUBE ONLY, 3.00-4	1
5.04	1421281	BEARING, 6003ZZ	2
5.03	1492387	4" RIM, DRIVE WHEEL, W/INVACARE LOGO	1
5.05	1492388	SPACER, 21.4x17.6x31	1
5.06	1426420	SCREW, M8x16L	1
5.07	1492386	STEEL CENTER, BLACK, 4HOLES	1
5.08	1428242	SPRING WASHER, M8x2.5t,	1
5.09	1425314	NYLON NUT, M8	1

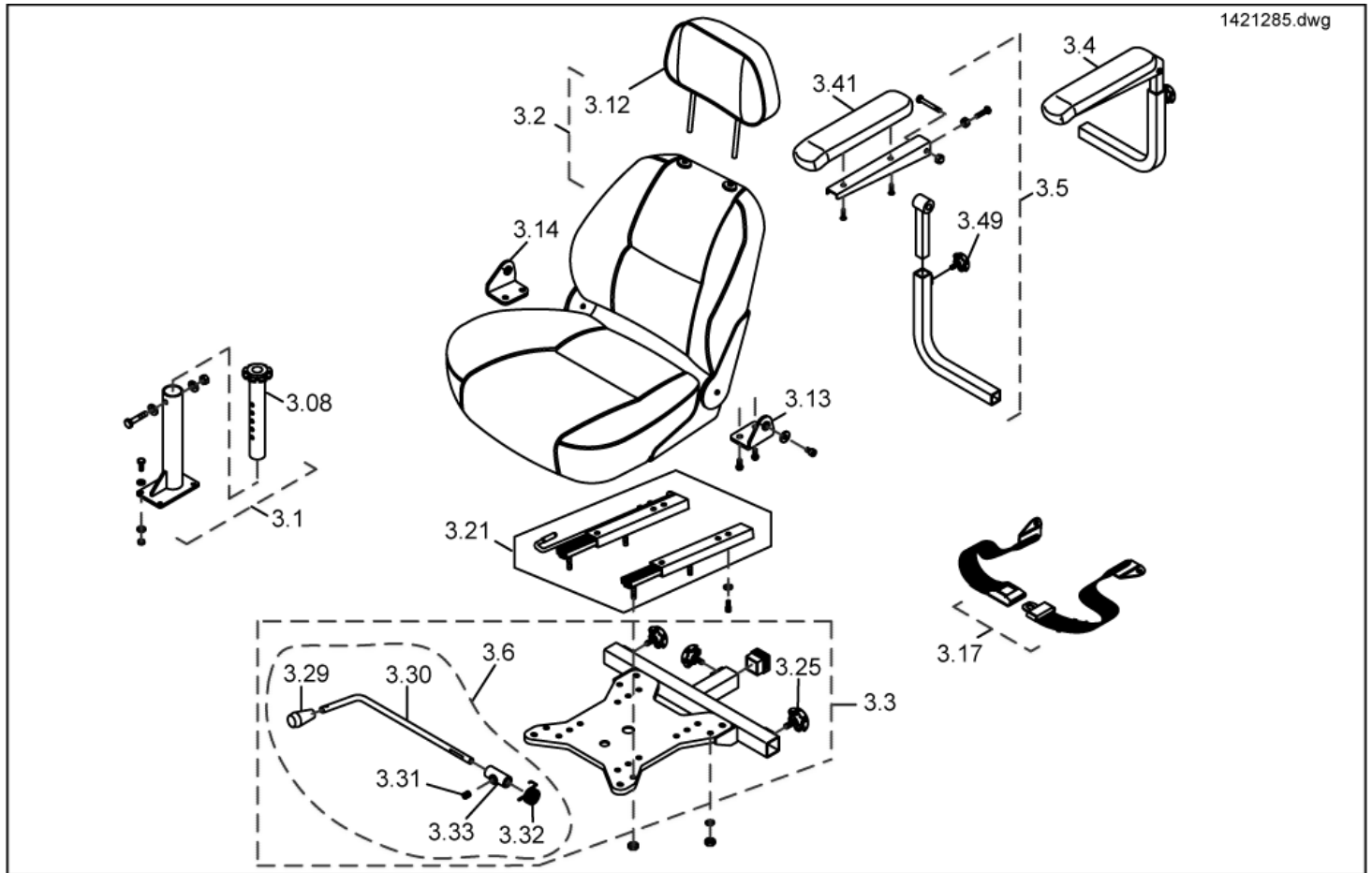
Rear Wheel (3-/4 Wheel)

1421284.dwg

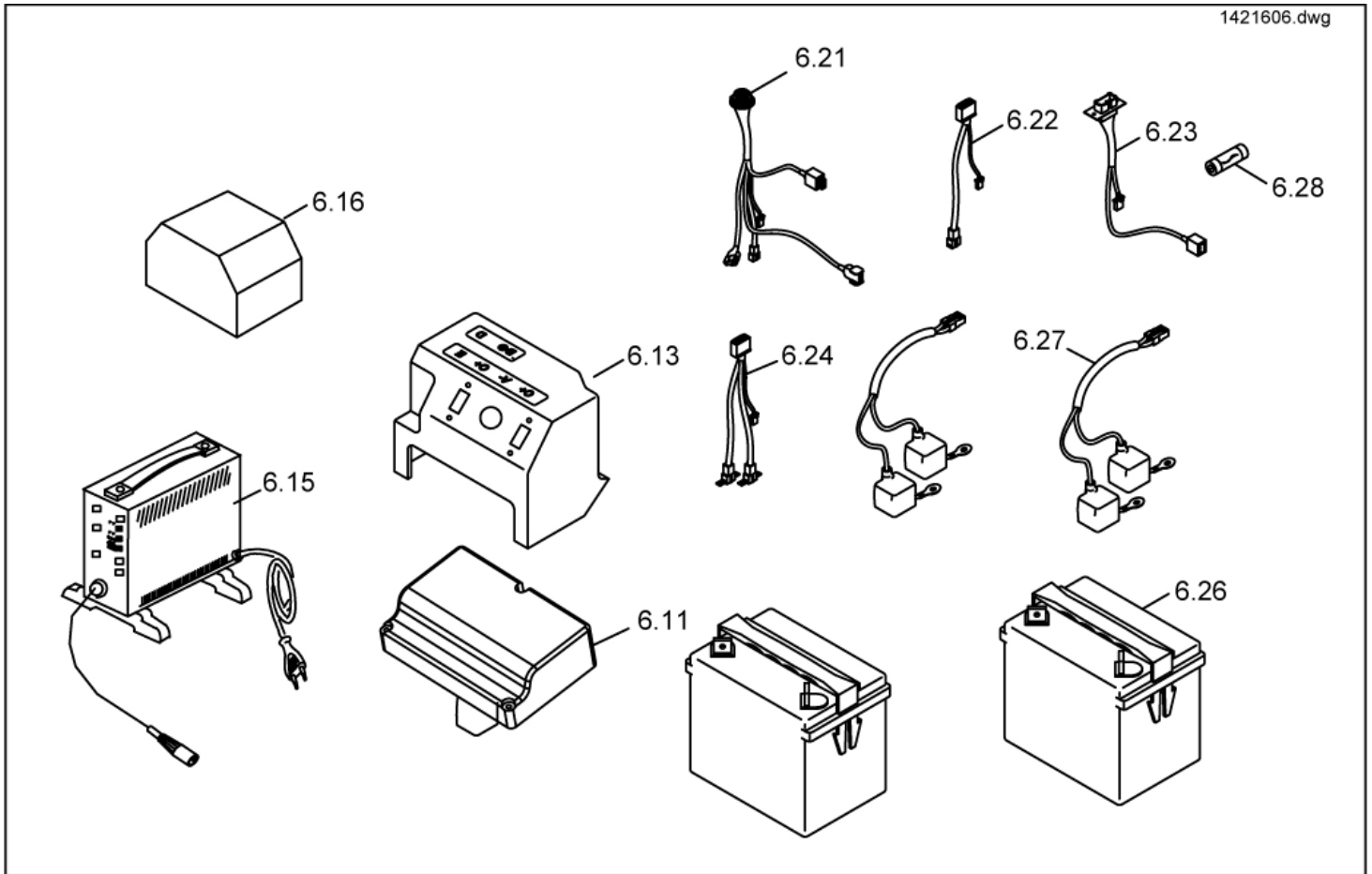


item	ordercode	description	quantity
5.2	1421284	REAR WHEEL ASS'Y., 3.00-4, W/INVACARE LOGO	2
5.21	1421277	TYRE, 3.00-4	1
5.22	1421283	INNER TUBE ONLY, 3.00-4	1
5.23	1492387	4" RIM, DRIVE WHEEL,W/INVACARE LOGO	1
5.24	1426420	SCREW M8 X 16	1
5.25	1492386	STEEL CENTER, BLACK, 4HOLES	1
5.26	1428220	SPACER, M8 x 2.5	1
5.27	1425314	NYLON NUT M8	1

Seat system



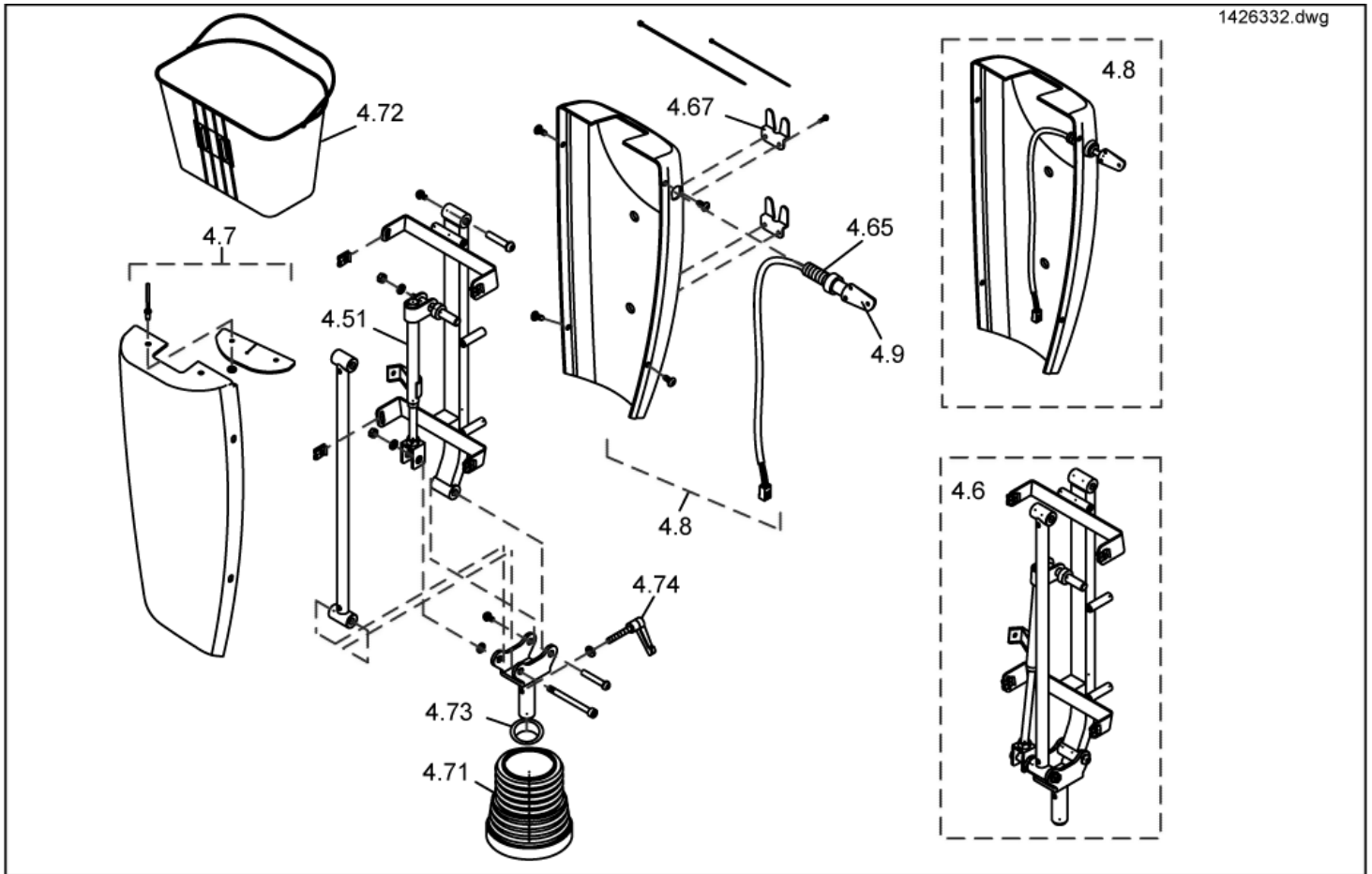
item	ordercode	description	quantity	note
3.1	1421285	SEAT TUBE ASS'Y.	1	
3.08	1421286	UPPER SEAT POST	1	
3.2	1421287	SEAT W/HEADREST, BLACK, 18Wx16Dx18H	1	
3.12	1421288	HEADREST, SEAT, BLACK	1	
3.13	1421589	MOUNTING PLATE, SAFETY BELT, L	1	
3.14	1421590	MOUNTING PLATE, SAFETY BELT, R	1	
3.17	1421591	SAFETY BELT, #109	1	
3.21	1421592	SLIDE MECH. ASS'Y., SEAT	2	
3.3	1421593	SEAT BASE WITH RELEASE LEVER ASS'Y.	1	
3.25	1421594	KNOB, M10 x 13L	3	
3.29	1421020	BLACK TIP	1	
3.30	1421596	RELEASE LEVER, "L" TYPE	1	
3.31	1421597	SET SCREW, M8 x 8L	1	
3.32	1421598	TORQUE SPRING, RELEASE LEVER	1	
3.33	1421599	BLOCK, RELEASE LEVER	1	
3.4	1421600	ARMREST ASS'Y, LH	1	-->04/2002
3.4	1426326	ARMREST, LEFT LH cpl.	1	05/2002-->
3.41	1426479	Armrest pad; Auriga / Meteor	1	
3.5	1421601	ARMREST ASS'Y, RH	1	-->04/2002
3.5	1426327	ARMREST ASS'Y, RH	1	05/2002-->
3.49	1421602	KNOB, M8 x 12L	1	
3.41	1426479	Armrest pad	1	
3.6	1492167	Assembly kit: Auriga, Release lever	1	



item	ordercode	description	quantity	note
6.11	1421606	CONTROLLER RHINO 70A	1	6/8 km/h
6.11	1423703	CONTROLLER RHINO 110A	1	10 km/h
6.13	1421607	ELECTRONIC TRAY	1	-->04/2002
6.13	1426328	ELECTRONIC COVER	1	05/2002-->
6.15	SP1423696	CHARGER, ON-BOARD, HAMPTON 24V/3A OB7	1	
6.16	1421609	WATERPROOF COVER	1	
6.21	1421610	MAIN LOOM, CONTROLLER	1	
6.22	1421611	WIRE CONNECTING, MOTOR/CONTROLLER	1	6/8 km/h
6.22	1426329	WIRE CONNECTING, MOTOR/CONTROLLER	1	10 km/h
6.23	1421612	CONNECTING WIRE, POWER SEAT	1	
6.24	1421613	WIRE CONNECTING, CONTROLLER	1	-->04/2002
6.24	1426330	WIRE CONNECTING, CONTROLLER	1	05/2002-->
6.26	PG50988	BATTERY MK 12V / 40 AH	2	D / DK
6.26	P50021	BATTERY A 512 / 30 AH	2	UK
6.27	1421614	WIRE CONNECTING WITH 40A FUSE, BATTERY	2	-->04/2002
6.27	1433713	WIRE CONNECTING 40A FUSE, BATTERY (AURIGA 6 + 8)	2	05/2002-->
6.27	1426331	WIRE CONNECTING WITH 60A FUSE, BATTERY (AURIGA 10)	2	
6.28	1421615	FUSE 40A	2	-->04/2002
6.28	1433714	FUSE 40 A (AURIGA 6 AND 8)	2	05/2002-->
6.28	1430383	FUSE 60A for AURIGA 10	2	-->04/2004
6.28	1428294	FUSE 80A	2	05/2004-->

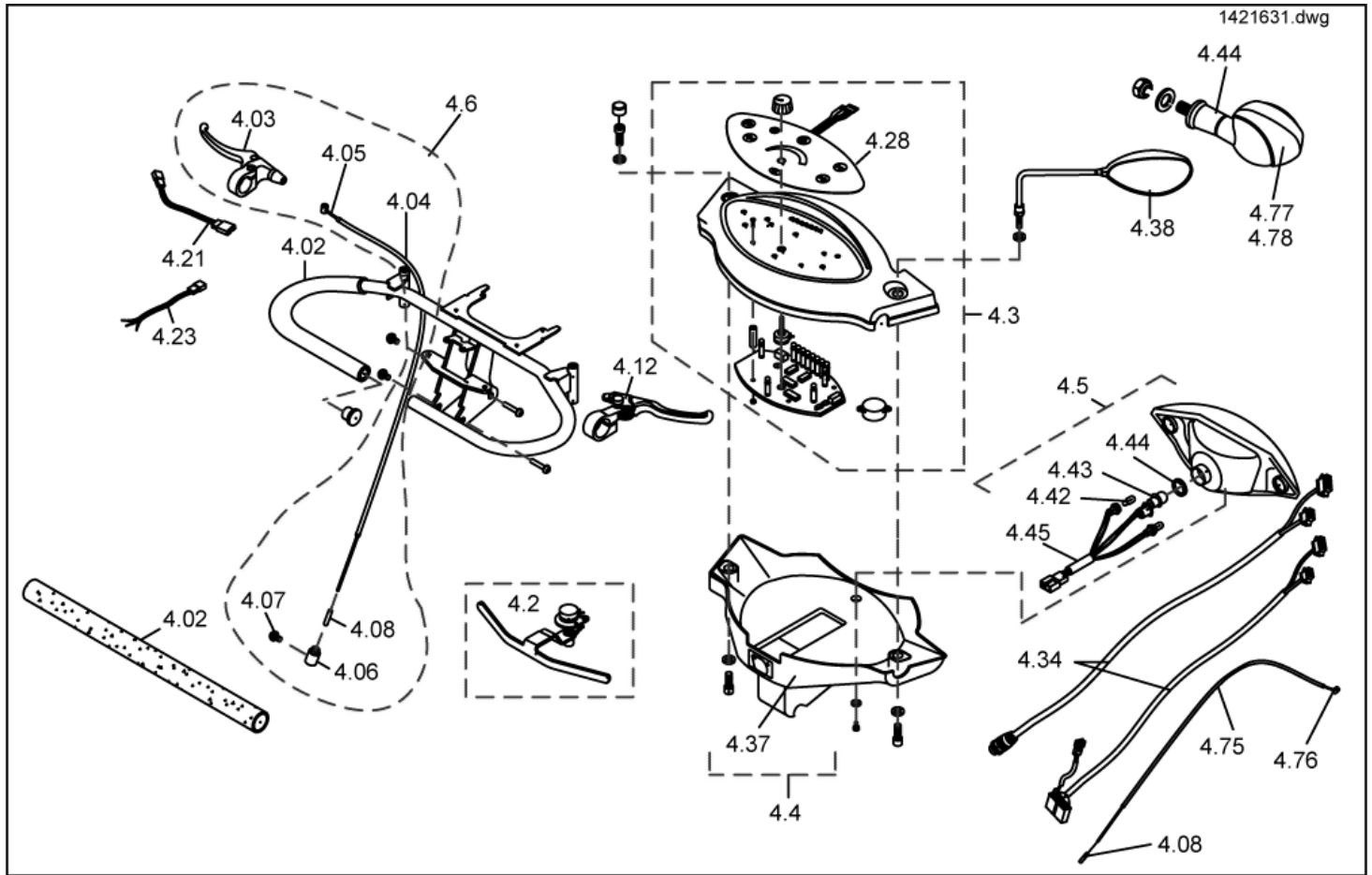
Tiller Linking Mechanism

1426332.dwg



item	ordercode	description	quantity	note
4.6	1426332	TILLER LINKING MECH. ASS'Y., 3W/4W	1	05/2002-->
4.6	1421039	TILLER LINKING MECH. ASS'Y., 3W/4W	1	-->04/2002
4.51	1421242	HEIGHT ADJ. LOCK MECH., 230L	1	
4.7	1426333	REAR TILLER SHROUD SET, RED, 3W/4W	1	05/2002-->
4.7	1426334	REAR TILLER SHROUD SET, BLUE, 3W/4W	1	05/2002-->
4.7	1421243	REAR TILLER SHROUD SET, RED, 3W/4W	1	-->04/2002
4.7	1421244	REAR TILLER SHROUD SET, BLUE, 3W/4W	1	-->04/2002
4.8	1426335	FRONT TILLER SHROUD SET, RED, 3W/4W	1	05/2002-->
4.8	1426336	FRONT TILLER SHROUD SET, BLUE, 3W/4W	1	05/2002-->
4.8	1421245	FRONT TILLER SHROUD SET, RED, 3W/4W	1	-->04/2002
4.8	1421246	FRONT TILLER SHROUD SET, BLUE, 3W/4W	1	-->04/2002
4.65	1421247	KEY SWITCH W/CONNECTING WIRE, 3W/4W	1	
4.67	1421248	MOUNTING BASKET SPCC 2.5 T	2	
4.71	1421250	LOWER RUBBER BOOT	1	
4.72	1421616	BASKET, WIRE MESH	1	
4.73	1426337	SET RING	1	
4.74	1421617	QUICK ADJ. LEVER, M8 X 30 L	1	
4.9	1425784	KEY	1	

Steering system

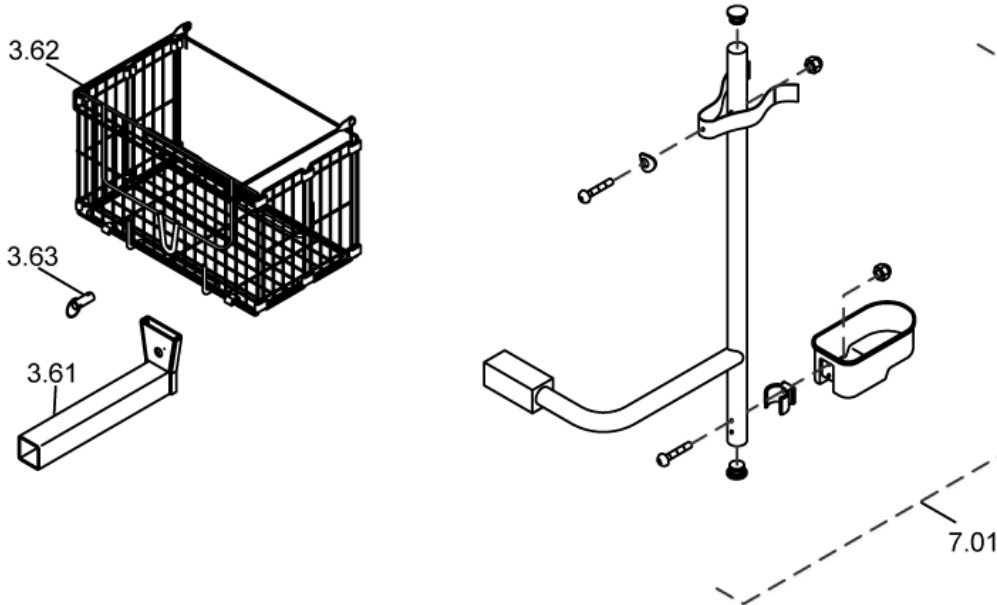


item	ordercode	description	quantity	note
4.3	1421631	UPPER DASH BOARD SET, RED (6km/h)	1	-->04/2002
4.3	1421632	UPPER DASH BOARD SET, BLUE (6km/h)	1	-->04/2002
4.3	1426340	UPPER DASH BOARD SET, RED (6km/h)	1	05/2002-->
4.3	1426341	UPPER DASH BOARD SET, BLUE (6km/h)	1	05/2002-->
4.3	1492389	UPPER DASH BOARD SET, RED (10km/h)	1	
4.3	1492390	UPPER DASH BOARD SET, BLUE (10km/h)	1	
4.02	1421620	FOAM SLEEVE, RD. 30 X 20 X 355 L	2	
4.03	1421621	TILLER ADJUSTING LEVER	1	
4.04	1421622	CABLE CASING, 450L, LONG	1	
4.05	1421623	WIRE, RD. 1.5 X 540 L	1	
4.06	1421624	STOPPER	1	
4.07	1421625	SCREW, M5 X 8 L	1	
4.08	1421626	ALUM. WIRE END CAP	1	
4.2	1421627	THROTTLE ASS'Y., 3W/4W	1	
4.21	1421629	CONNECTING WIRE, POT	1	
4.23	1421630	CONNECTING WIRE, SPEED POT	1	
4.28	1421633	TOUCH PANEL, KEYPAD, 3W/4W	1	
4.34	1421634	MAIN LOOM, TILLER, 3W	1	
4.34	1426342	MAIN LOOM, TILLER, 3W	1	05/2002-->
4.4	1421635	LOWER DASH BOARD SET, RUBY RED, 3W/4W	1	-->04/2002
4.4	1421636	LOWER DASH BOARD SET, SAPPHIRE BLUE, 3W/4W	1	-->04/2002
4.4	1426343	LOWER DASH BOARD SET, CANDY APPLE RED, 3W/4W	1	05/2002-->
4.4	1426344	LOWER DASH BOARD SET, BLUE, 3W/4W	1	05/2002-->
4.37	1421637	CHARGER SOCKET WITH WIRE	1	
4.38	1416141	BACK MIRROR, RH	1	
4.38	1416142	BACK MIRROR, LH	1	
4.5	1421640	HEAD LIGHT WITH WIRE ASS'Y. (EUROPE)	1	-->04/2002

item	ordercode	description	quantity	note
4.5	1421345	HEAD LIGHT WITH WIRE ASSY. (EUROPE)	1	05/2002-->
4.5	1428314	HEAD LIGHT WITH WIRE ASSY. GERMANY	1	05/2002-->
4.42	1421641	BULB, 24V/5W, TURNING LIGHT	2	-->04/2002
4.42	1426346	BULB, 12V/5W, TURNING LIGHT	2	-->04/2002
4.43	1421642	BULB, 24V/18W	1	05/2002-->
4.43	1426347	BULB, 12V/15W	1	05/2002-->
4.44	1428315	BULB 12V/10W	1	05/2002-->
4.45	1421643	CONNECTING WIRE, HEAD LIGHT	1	
4.12	1428337	LEVER BRAKE	1	
4.75	1428312	CABLE HOUSING 2050L	1	
4.76	1428313	LINE 1,5x2250L	1	
4.6	1492166	ASSEMBLY KIT: Auriga, STEERING COLUMN ADJUSTMENT	1	
4.77	1445572	Blinker extern LH, Germany	1	05/2002==>
4.78	1428337	Blinker extern RH, Germany	1	05/2002==>

Cane Holder / Touch-up paint

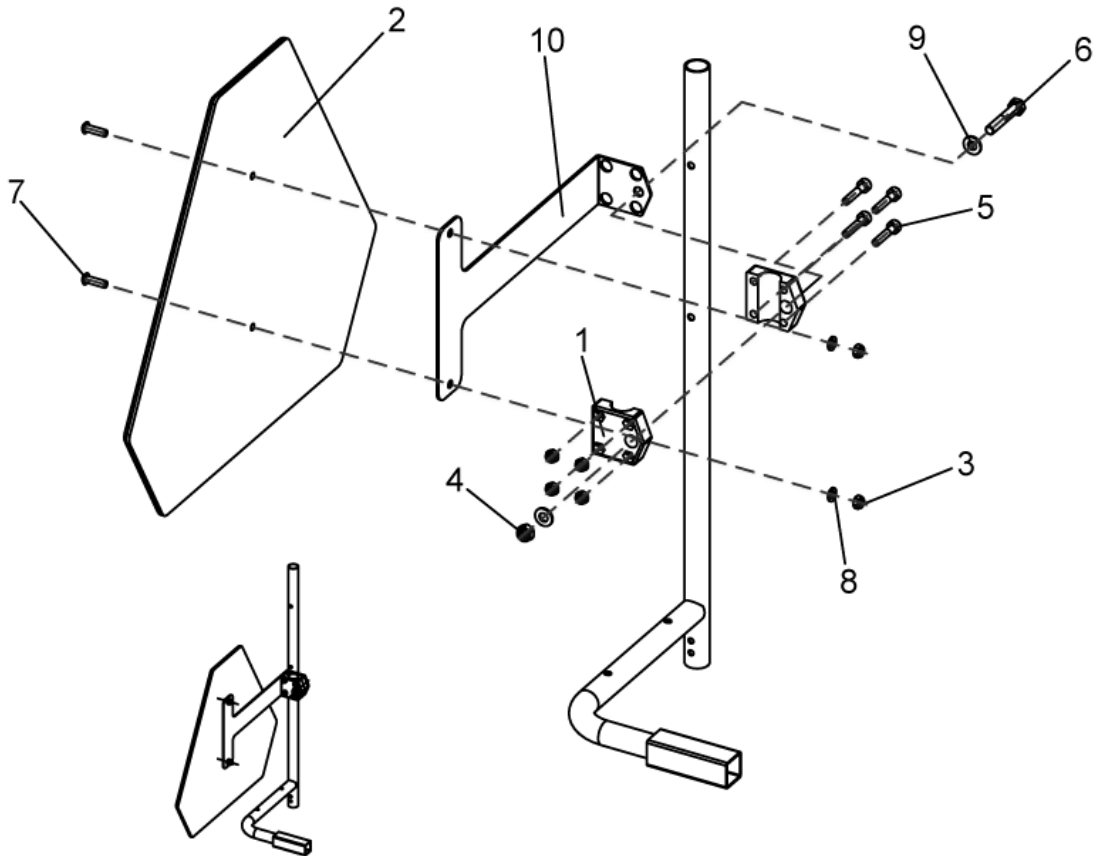
1416144.dwg



item	ordercode	description	quantity
7.01	1416144	CANE HOLDER ASS'Y.	1
3.61	1421603	REAR BASKET HOLDER SET	1
3.62	1416143	REAR BASKET	1
3.63	1421605	PIN, REAR BASKET	1
-	1421661	HANDHELD PROGRAMMER	1
-	1422891	TOUCH UP PAINT "RUBY RED"	1
-	1422892	TOUCH-UP PAINT "SAPPHIRE BLUE"	1

Rear marking sign

1431804.dwg



item	ordercode	description	quantity
-	1431804	REAR MARKING SIGN	1
1	NA	GRIPPING CLIP W. HEXAGON HOLE	2
2	1430834	REAR MARKING SIGN ECE-R 69	1
3	NA	NYLOC NUT M6	6
4	NA	NYLOC NUT M8	1
5	NA	SOCKET HEAD CAP SCREW M6 X 30	4
6	NA	AXLE BOLT M8 X 45	1
7	NA	BUTTONHEAD SOCKET SCREW, M6 X 20	2
8	NA	WASHER 6,4 X 12,5 X 1,6	2
9	NA	WASHER 8,4 X 17 X 1,6	2
10	NA	FIXING BRACKET FOR RMS RAL 9005	1