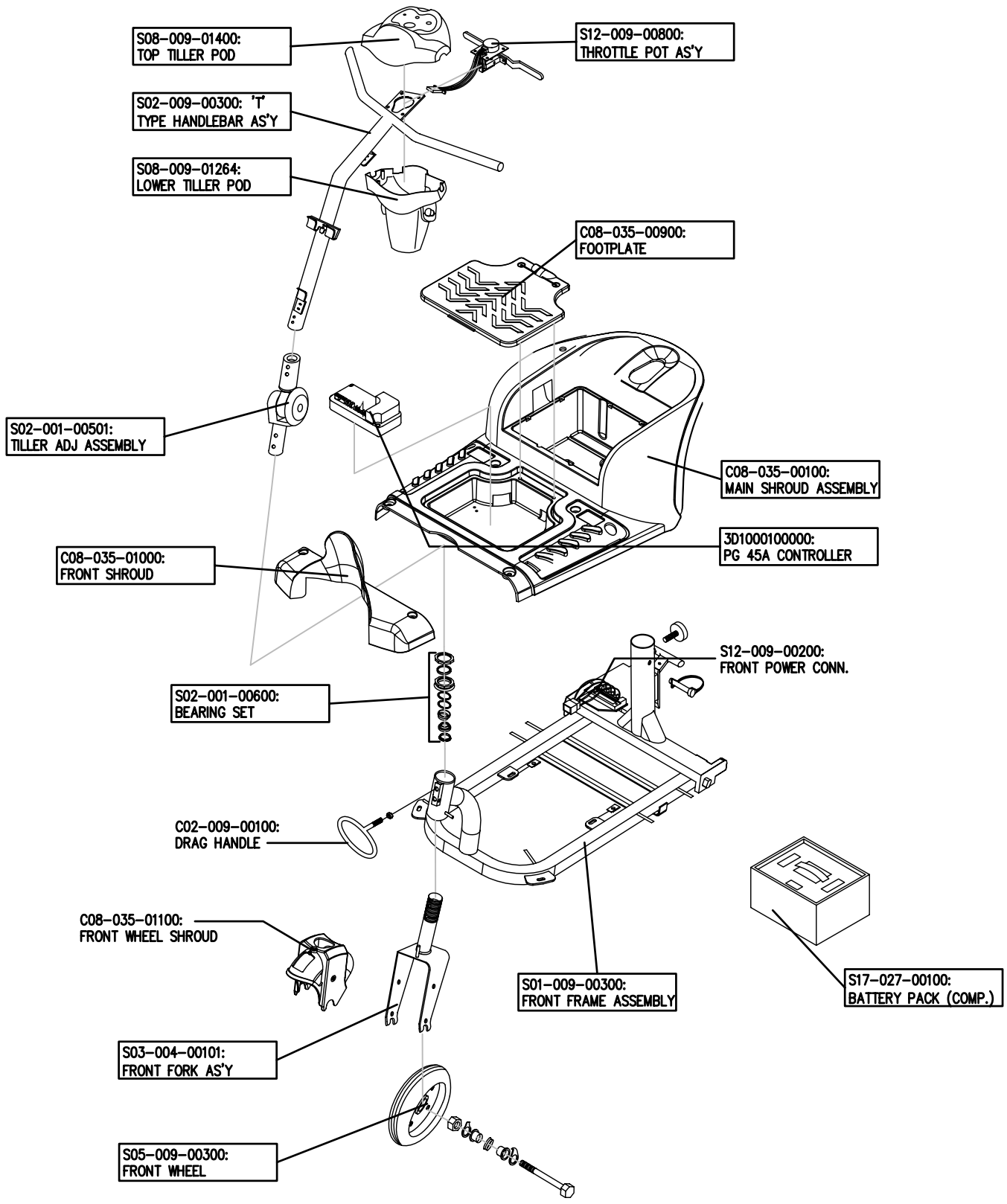


SEPERATE COMPONENTS AVAILABLE (FROM TILLER POD):

- M41100300000: SPEED POT
- M41100200000: BATTERY GAUGE
- M41610202000: HORN SWITCH
- 3D180050000: IGNITION SWITCH

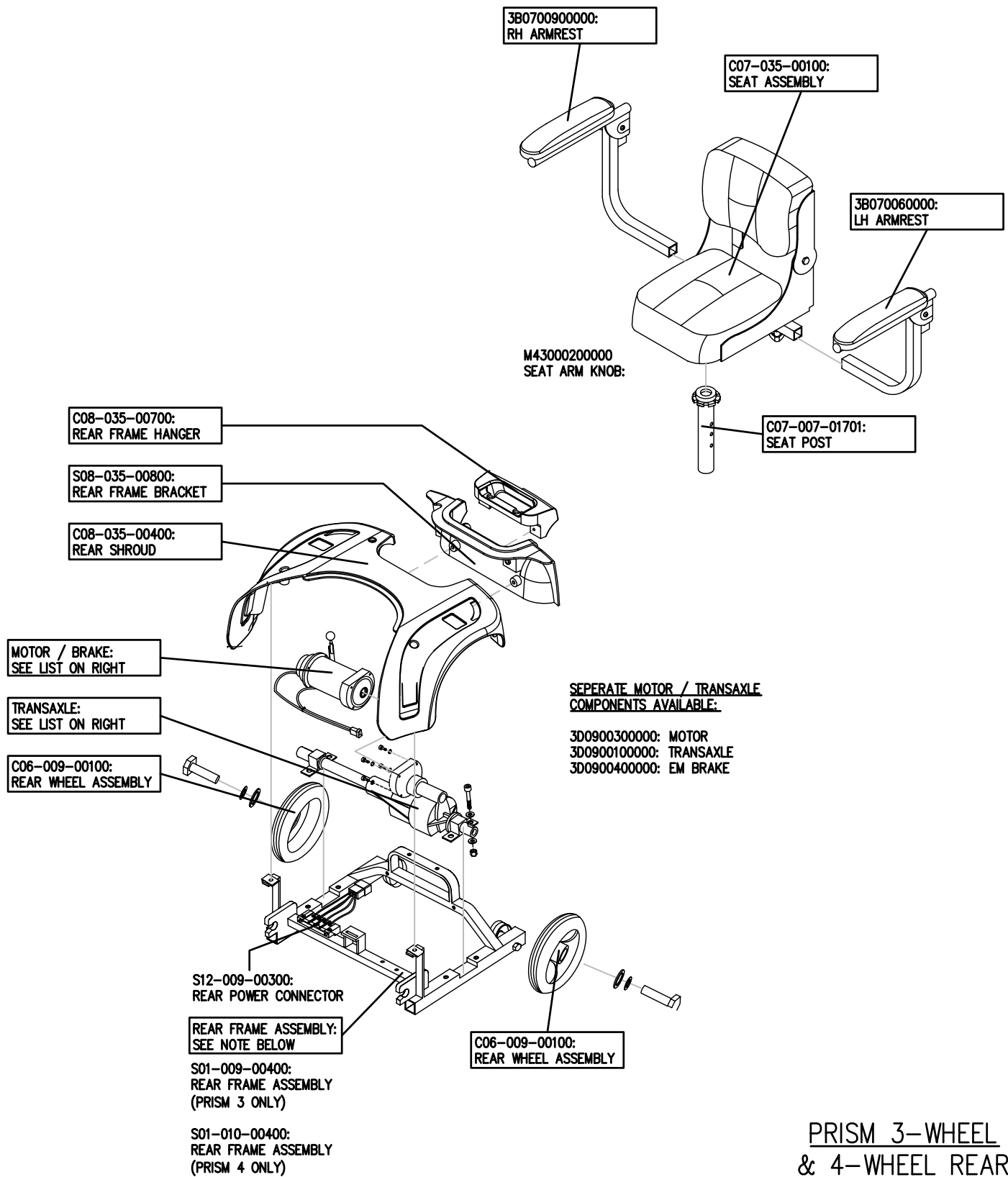
**PRISM 4-WHEEL
FRONT SECTION**



SEPERATE COMPONENTS AVAILABLE (FROM TILLER POD):

- M41100300000: SPEED POT
- M41100200000: BATTERY GAUGE
- M41610202000: HORN SWITCH
- 3D180050000: IGNITION SWITCH

**PRISM 3-WHEEL
FRONT SECTION**



PRISM 3-WHEEL
& 4-WHEEL REAR
SECTION & SEAT

medicaretechnology
LIMITED

Ainley's Industrial Estate, Elland HX5 9JP
T: +44 (0) 1422 314488
E: enquiries@medicaretechnology.com
W: www.medicaretechnology.com/technical

TITLE:



PRISM SCOOTERS
PARTS CATALOGUE

DATE: 06/03/07

SHEET No: 3 OF 4

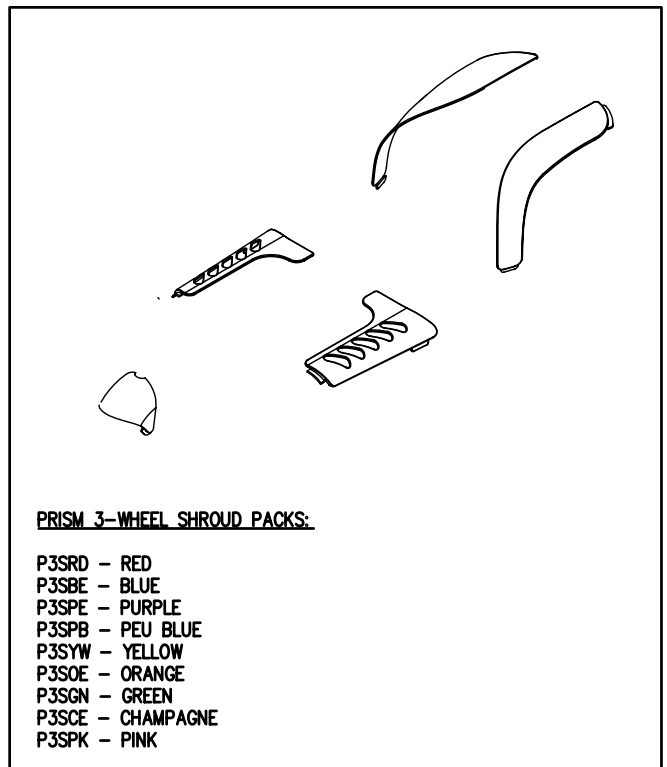
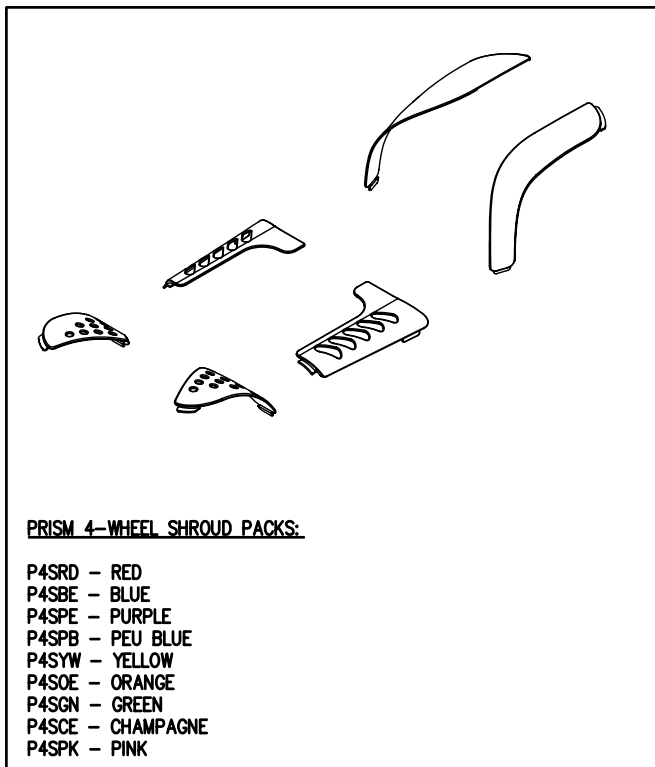
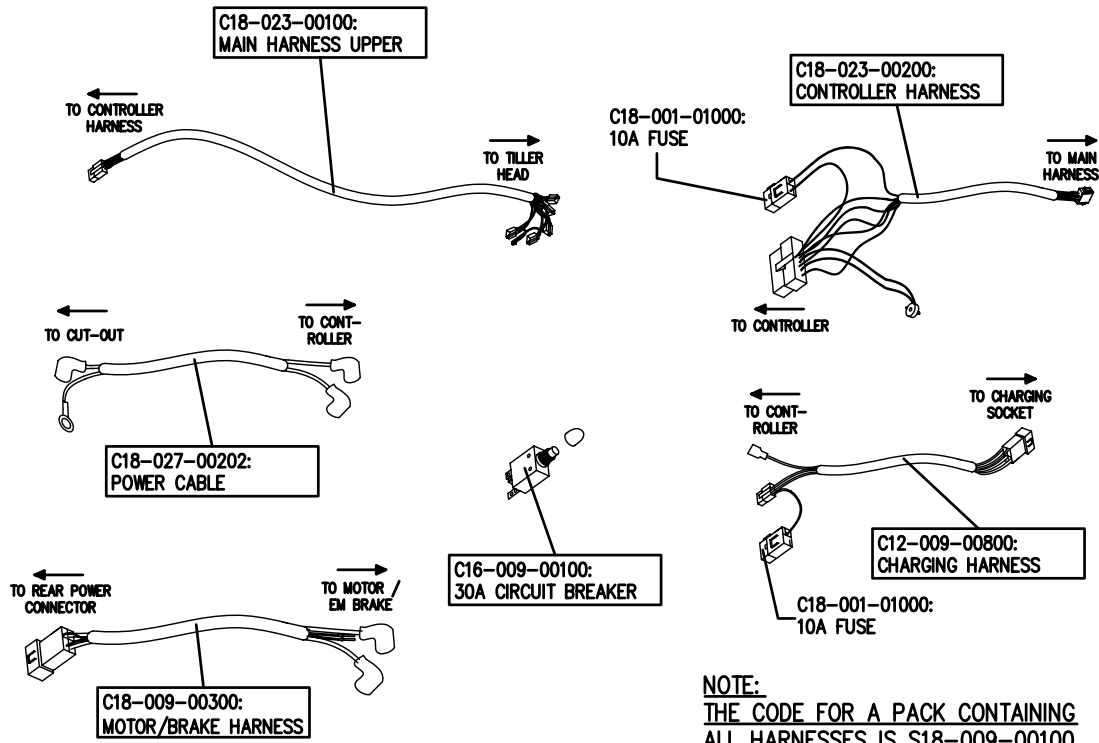
DRAWN: PMK

CHECKED:

REVISION No: -

SCALE: NTS

DWG No: Z40947



PRISM 3-WHEEL & 4-WHEEL WIRE HARNESSES AND OUTER SHROUDS